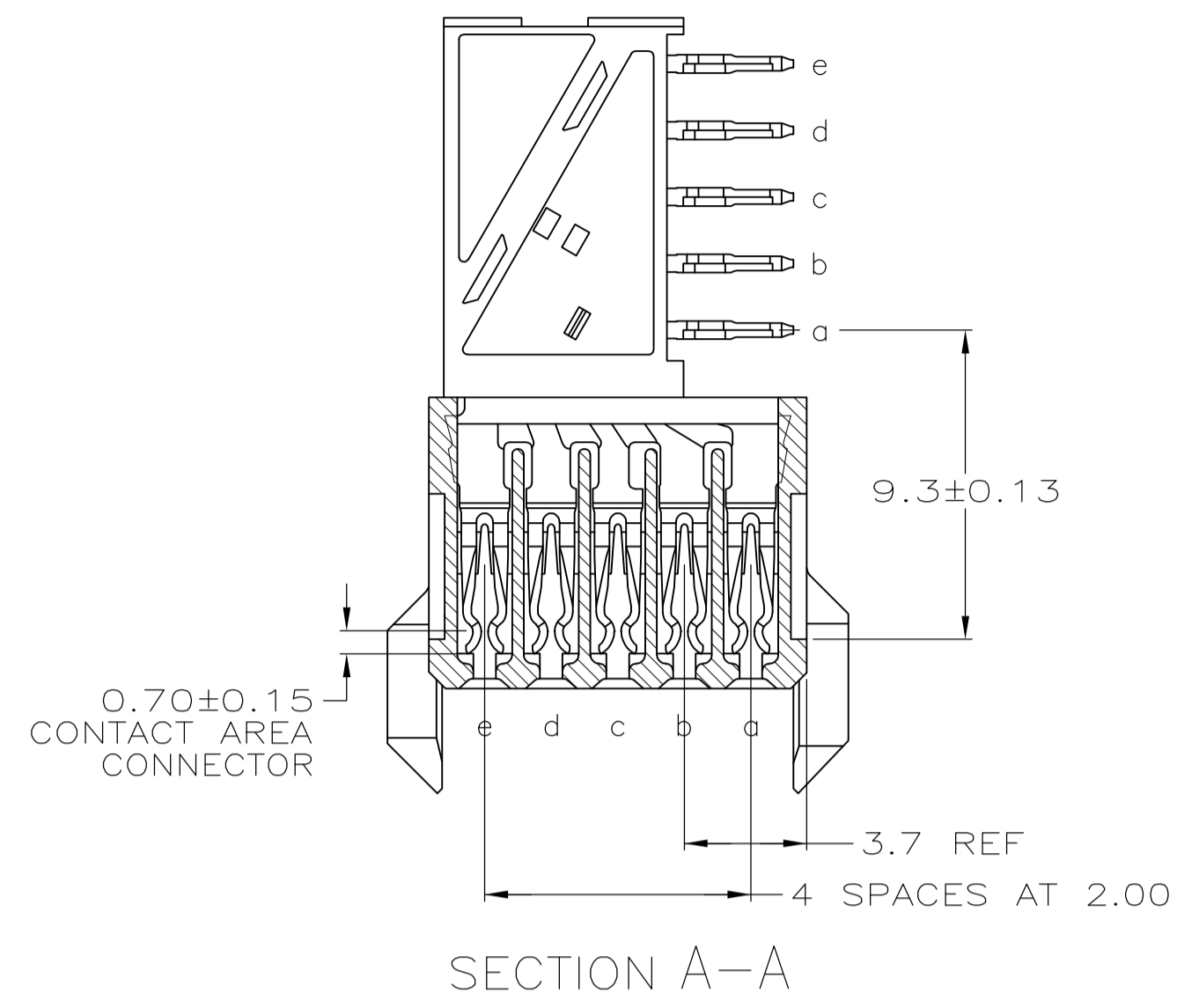
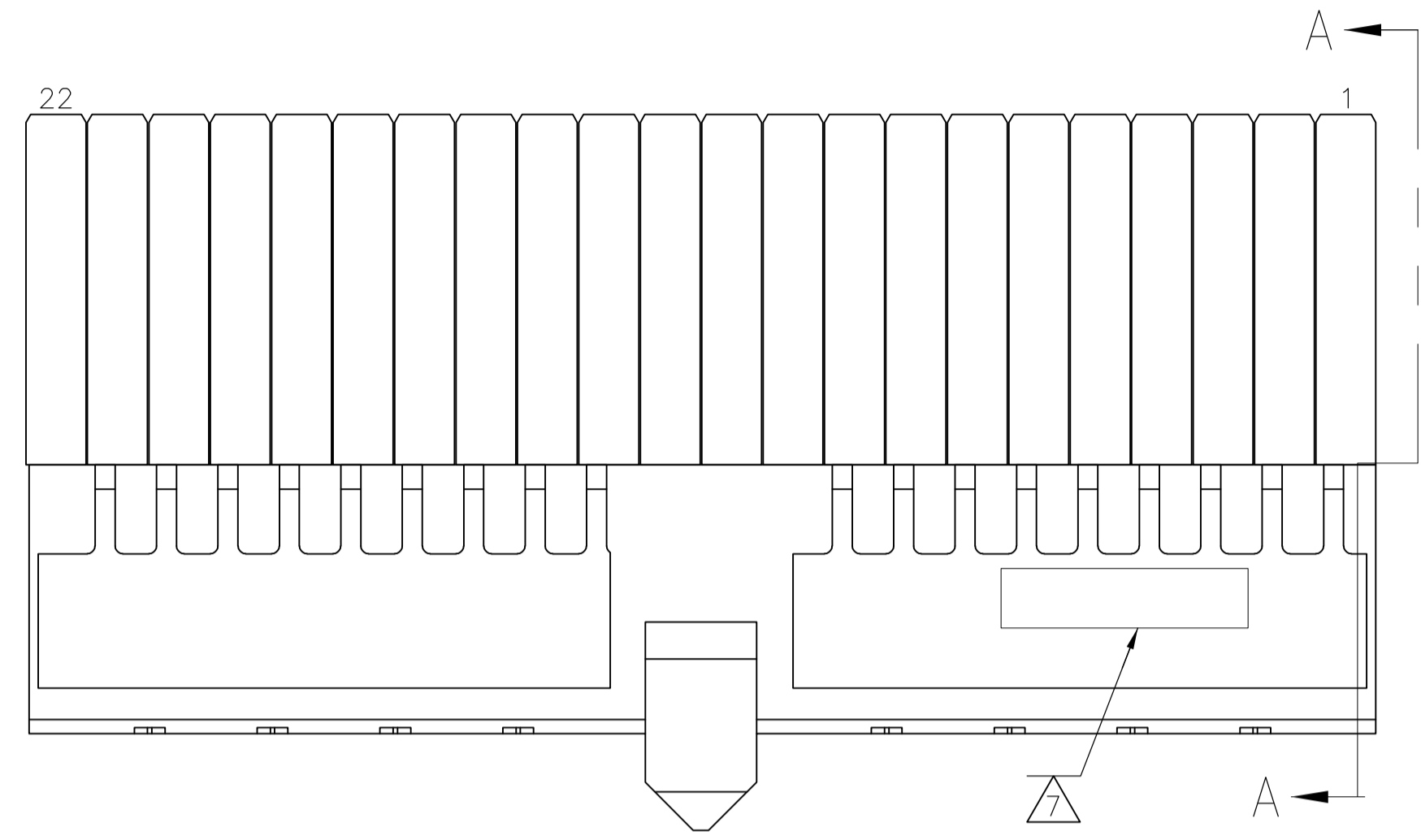
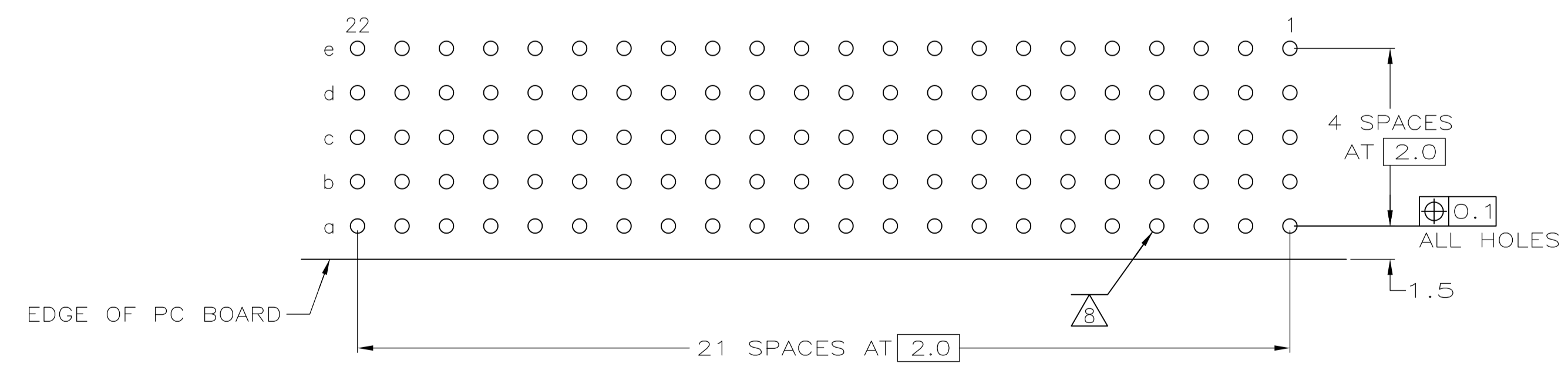
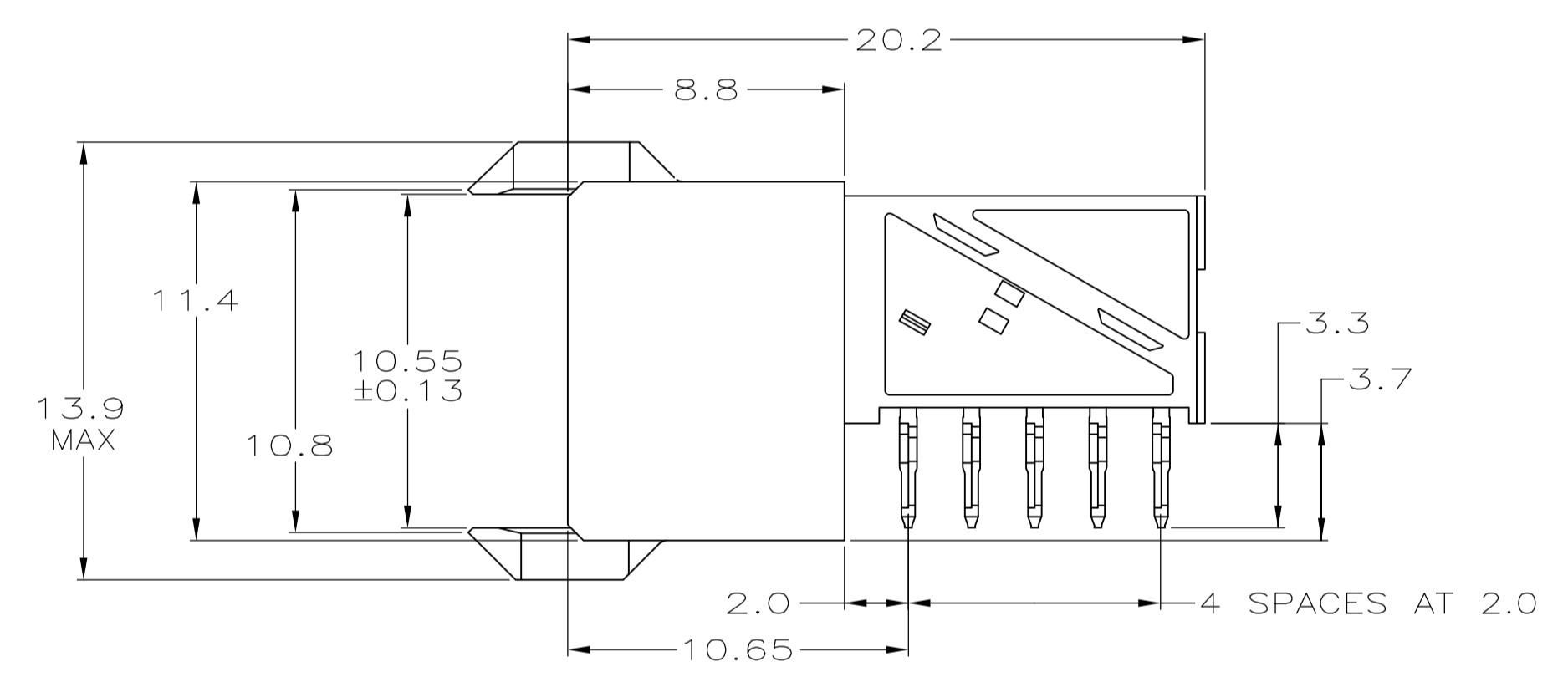
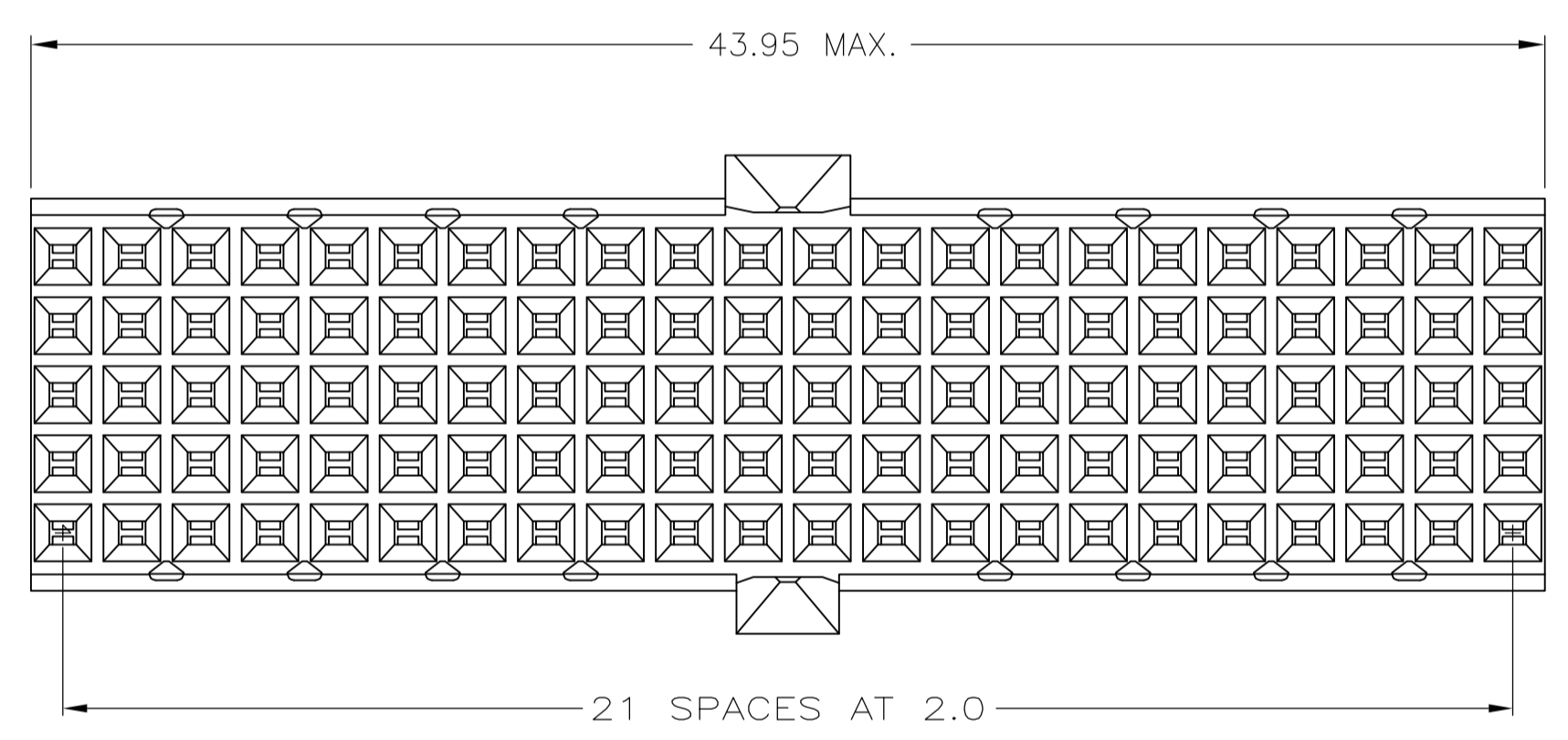


| LOC |     | DIST                    |         | REVISIONS |      |  |  |
|-----|-----|-------------------------|---------|-----------|------|--|--|
| P   | LTR | DESCRIPTION             | DATE    | DMN       | APVD |  |  |
| A   |     | REV PER EC 0512-0302-05 | 15DEC05 | BC        | GS   |  |  |
| B   |     | ECR-10-018652           | 10SEP10 | SW        | MQW  |  |  |
| C   |     | ECO-11-024491           | 13DEC11 | SY        | MQW  |  |  |



- 1 MATERIAL:  
CONTACT: PHOSPHOR BRONZE.  
HOUSING: GLASS-FILLED POLYESTER.
- 2 GENERAL PLATING SPECIFICATION: UNDERPLATING  
(ENTIRE CONTACT): 1.27µm MIN NICKEL AND ACTION  
PIN: 0.5µm MIN TIN.  
FOR PLATING OF MATING SURFACES SEE APPLICABLE SPECIFICATION REFERENCE FOR EACH DASH NUMBER.
- 3 CONFORMS TO ALL TESTING ACCORDING TO IEC 61076-4-101 PERFORMANCE LEVEL 2.
- 4 CONFORMS TO ALL TESTING ACCORDING TO IEC 61076-4-101 PERFORMANCE LEVEL 1.
- 5 CONNECTOR TESTED AND QUALIFIED AGAINST TELCORDIA GR-1217-CORE QUALITY LEVEL 3, CENTRAL OFFICE APPLICATIONS.
- 6 CONNECTOR TESTED AND QUALIFIED AGAINST TELCORDIA GR-1217-CORE QUALITY LEVEL 3, UNCONTROLLED ENVIRONMENT APPLICATIONS.
- 7 CONNECTOR MARKED WITH PART NUMBER AND DATE CODE.  
ADDITIONAL CHARACTERS OR MARKINGS, AS WELL AS THE LOCATION OF THE MARKINGS, MAY BE ADDED FOR TRACEABILITY BASED UPON MANUFACTURERS DISCRETION.
- 8 PLATED-THROUGH HOLES AT 2x2mm SQUARE GRID.
- 9 CONNECTOR LUBRICATED WITH BELCORE APPROVED LUBRICANT, TECHNICAL REFERENCE: TR-NWT-001217 ISSUE 1, SEP 1992.



COMPONENT SIDE AS SHOWN  
RECOMMENDED PCB HOLE LAYOUT

PLATED THRU HOLES PARAMETERS  
REFERENCE APPLICATION SPECIFICATION

|        |             |
|--------|-------------|
| 2/5/9  | 1-5646573-9 |
| 2/4/9  | 5646573-9   |
| 2/4/4  | 5646573-4   |
| 2/3/3  | 5646573-1   |
| FINISH | PART NUMBER |

THIS DRAWING IS A CONTROLLED DOCUMENT.

|                |  |                      |                         |   |
|----------------|--|----------------------|-------------------------|---|
| DIMENSIONS: mm | TOLERANCES UNLESS OTHERWISE SPECIFIED: | DIN B. CARBO 29JUL05 | APVD G. SKIPPER 29JUL05 | NAME Tyco Electronics Corporation Harrisburg, PA 17105-3608 |
| 0-PLC ±        | 1-PLC ±0.1                             | 2-PLC ±              | 3-PLC ±                 | 4-PLC ±   |
| 1-PLC ±        | 2-PLC ±                                | 3-PLC ±              | 4-PLC ±                 | 5-PLC ±   |
| 1              | SEE TABLE                              | SIZE A1              | CAGE CODE 00779         | DRAWING NO. 5646573   |
| MATERIAL       | FINISH                                 | WEIGHT               | CUSTOMER DRAWING        | RESTRICTED TO   |
|                |  |                      | SCALE 5:1               | SHEET 1 OF 1  |