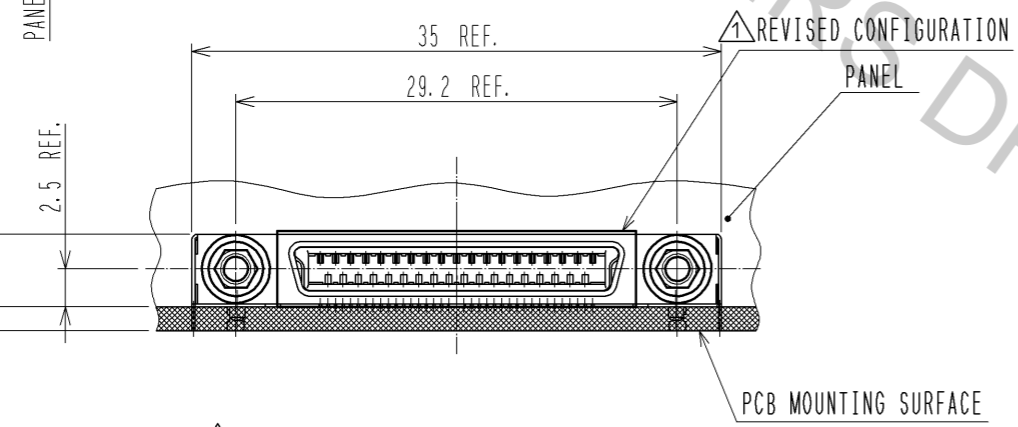
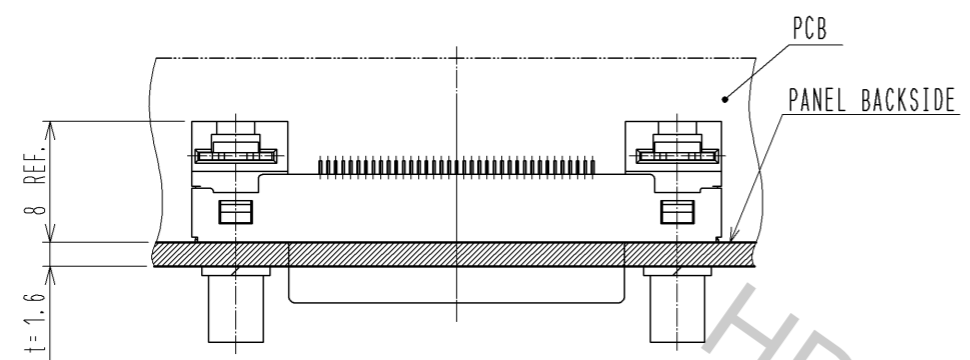


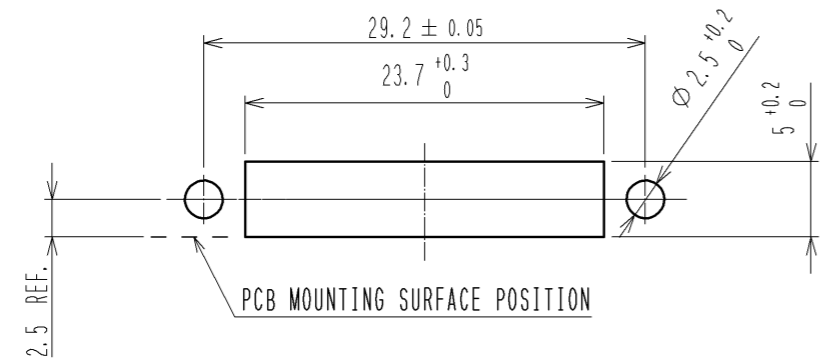
1 2 3 4 5 6 7 8

CONNECTOR MOUNTED ON PCB (2:1)
(FOR EXAMPLE, PANEL THICKNESS IS 1.6mm)



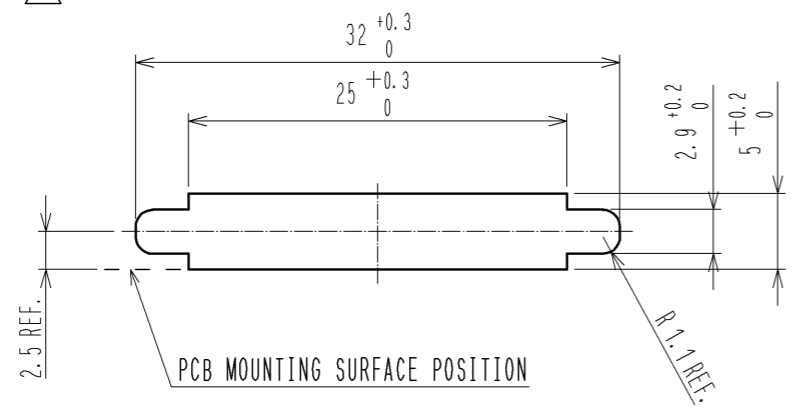
PANEL CUTOUT FOR REFERENCE (2:1)
(THE DIMENSION IS SPECIFIED BASED ON THE CENTER OF THE CONNECTOR INTERFACE.)

DH-LNA (CL244-0045-0-00) IS USED.

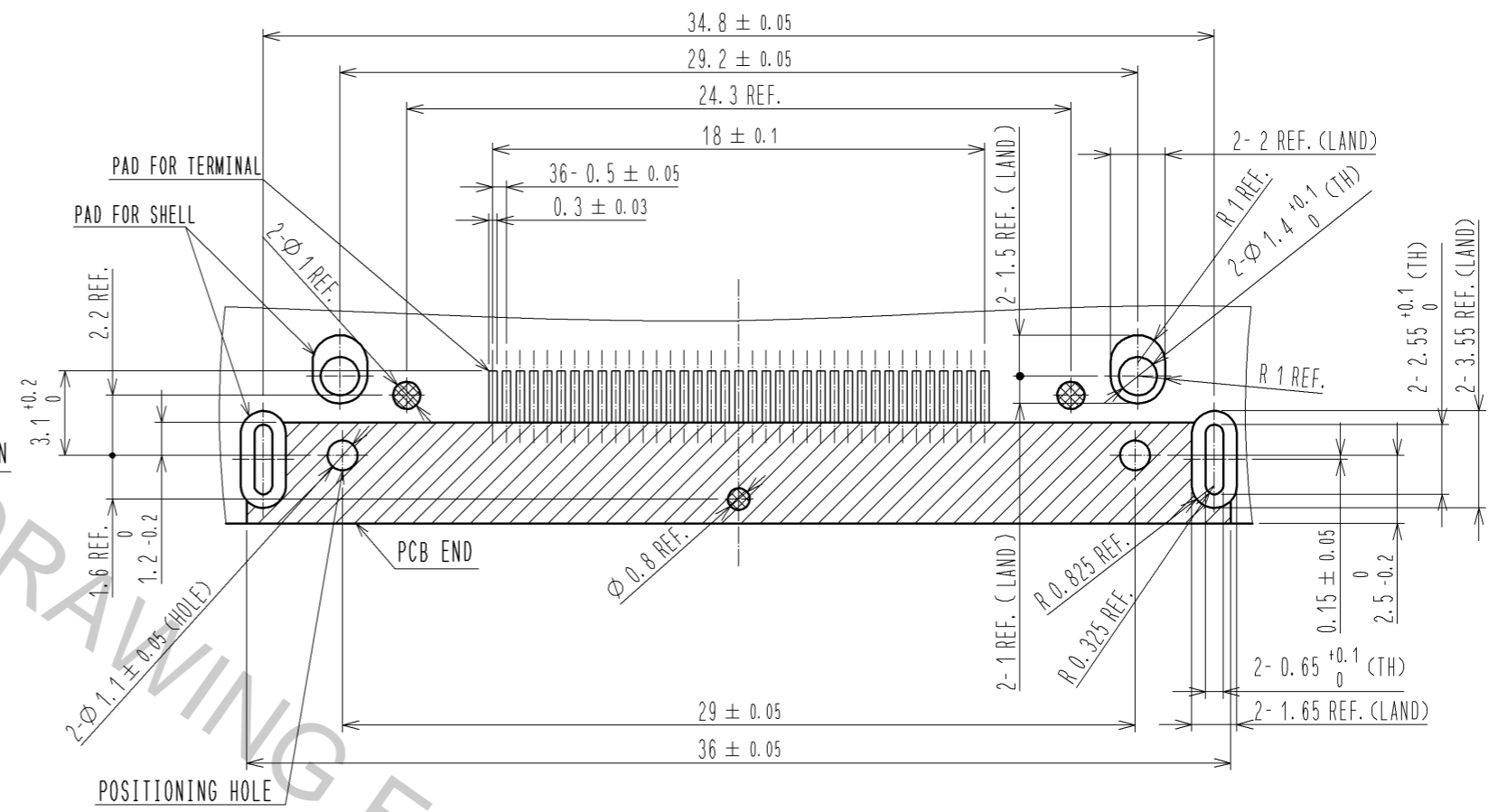


DH-LNA-W4 (CL244-0046-2-00)
DH-LNA-W8 (CL244-0004-2-00) IS USED.

DELETED

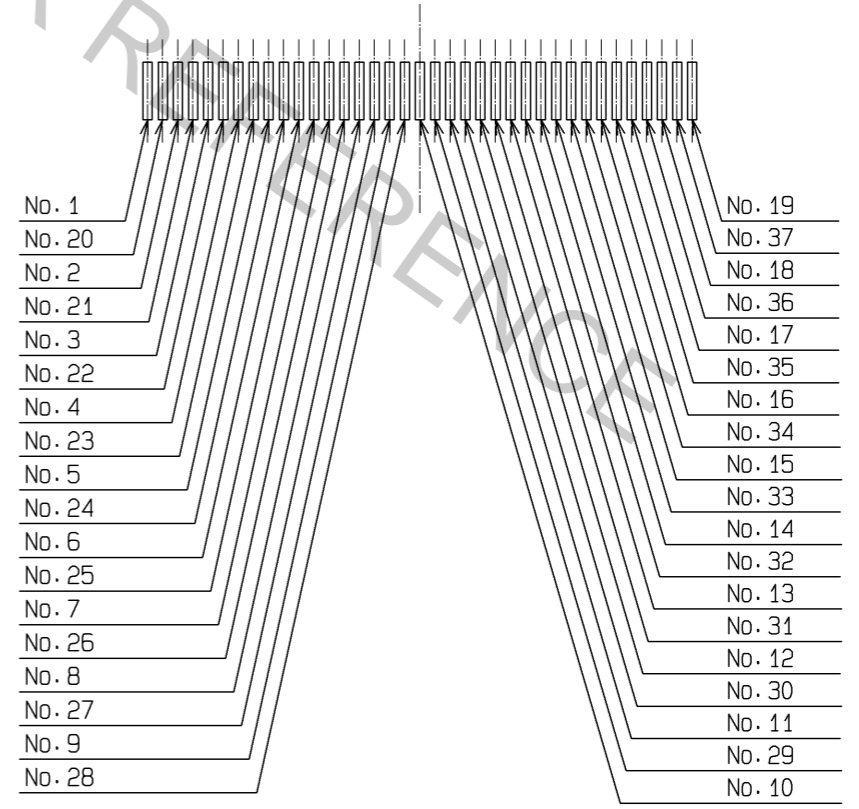


PCB LAYOUT FOR REFERENCE (MOUNTING SURFACE SIDE)



▨ : PATTERN PROHIBITION AREA
▩ : REFERENCE PLANE POSITION

TERMINAL No. CHART

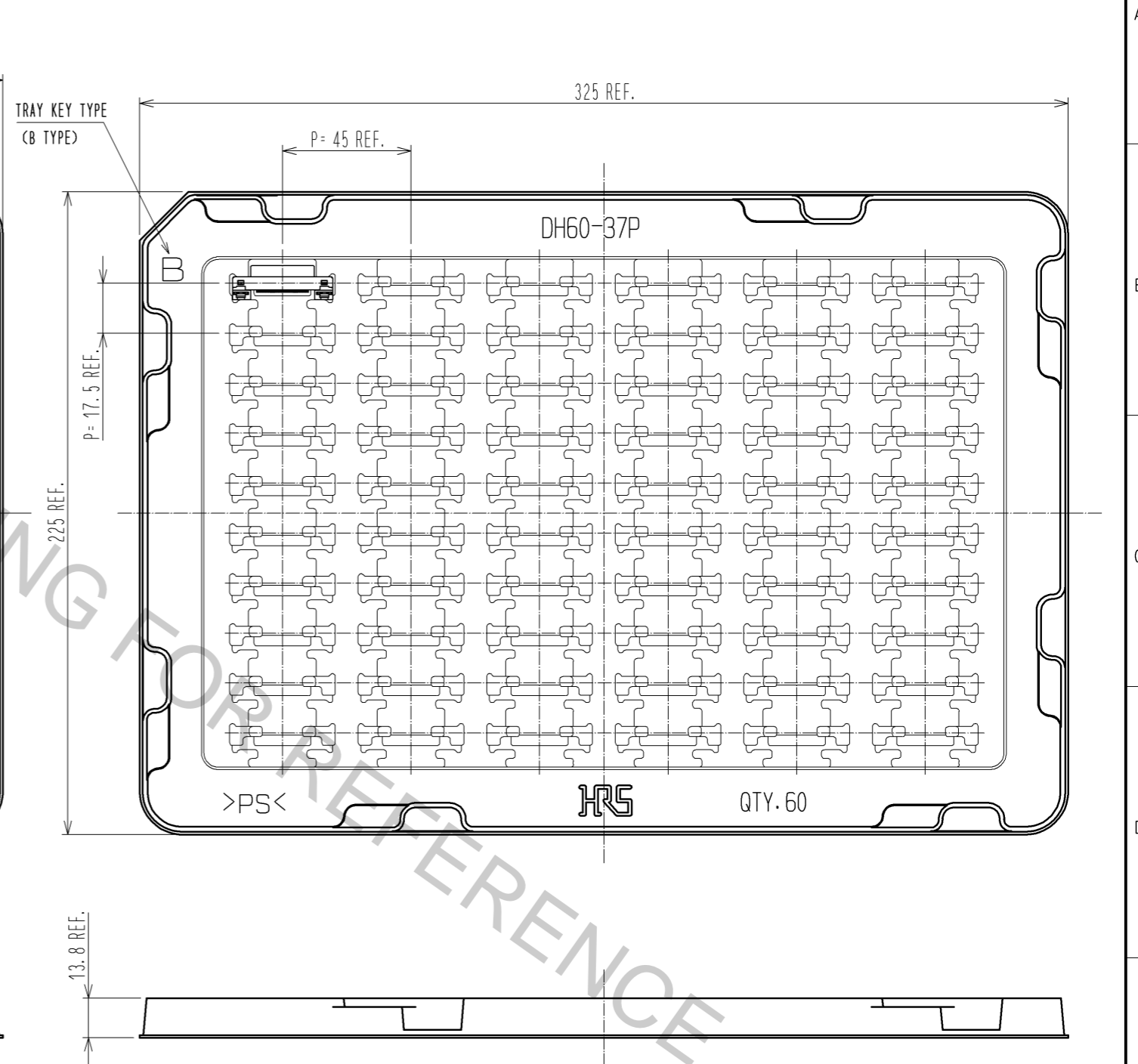
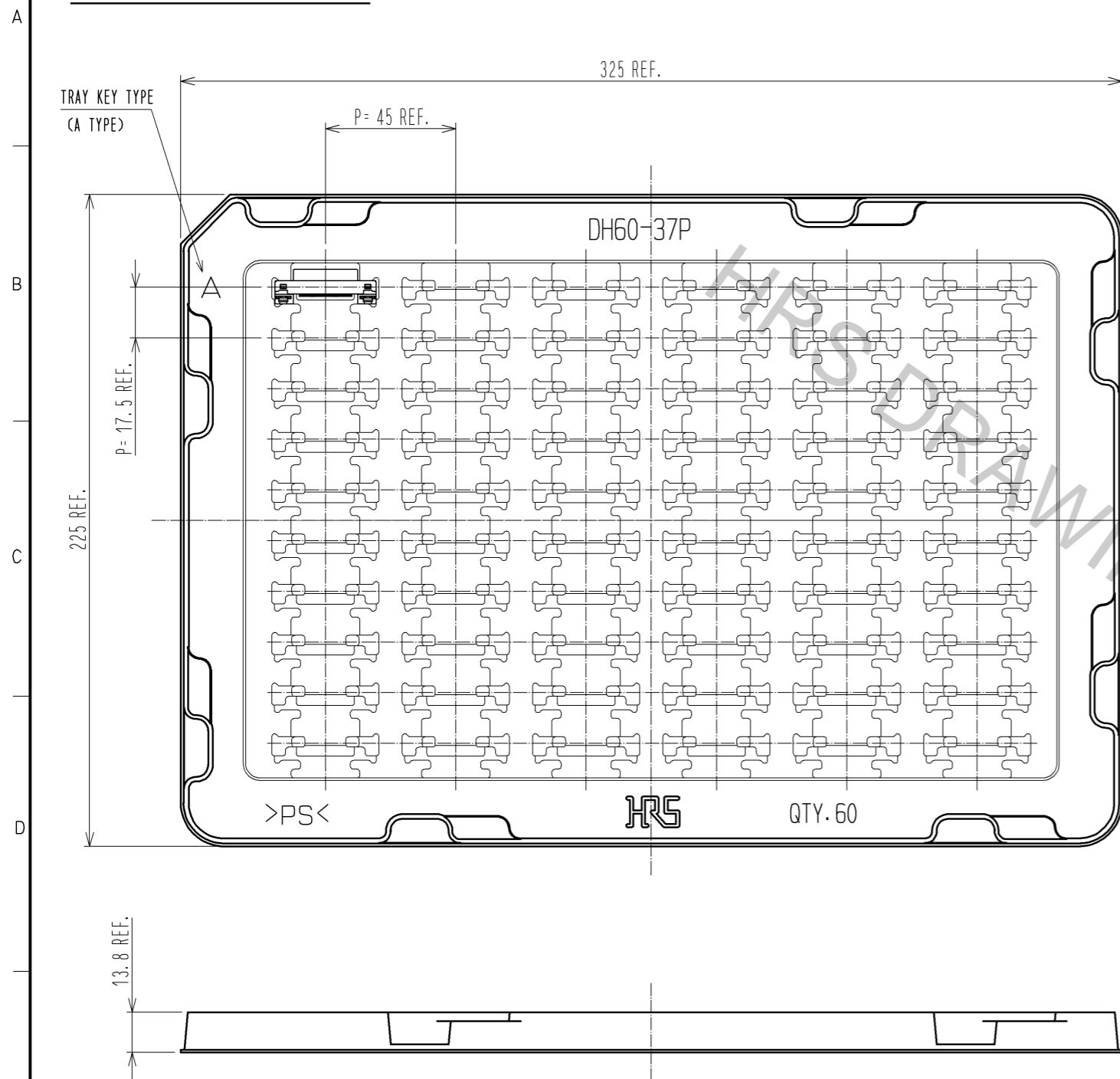


HRS	DRAWING NO.	EDC3-126584-00
	PART NO.	DH60-37P
	CODE NO.	CL244-0007-0-00
		2/3

A
B
C
D
E
F

A
B
C
D
E
F

DRAWING FOR PACKING (1:2)



※TRAYS, A TYPE AND B TYPE, ARE PILED UP ALTERNATELY.

HRS	DRAWING NO.	EDC3-126584-00
	PART NO.	DH60-37P
	CODE NO.	CL244-0007-0-00
		3/3