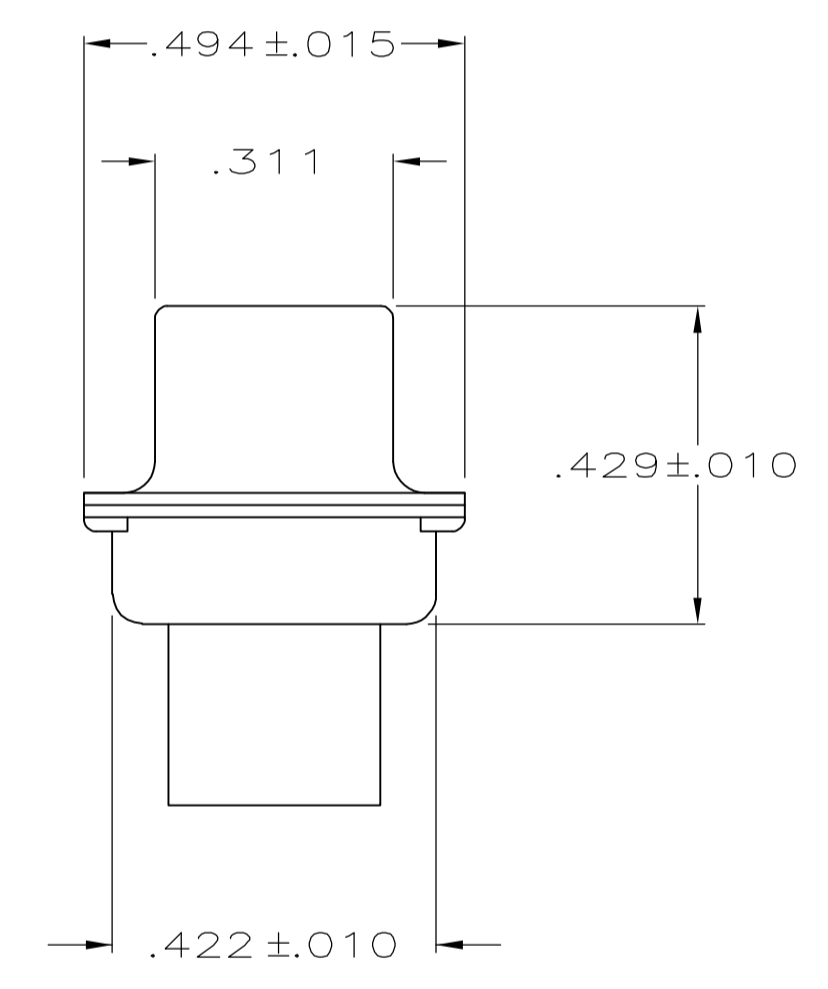
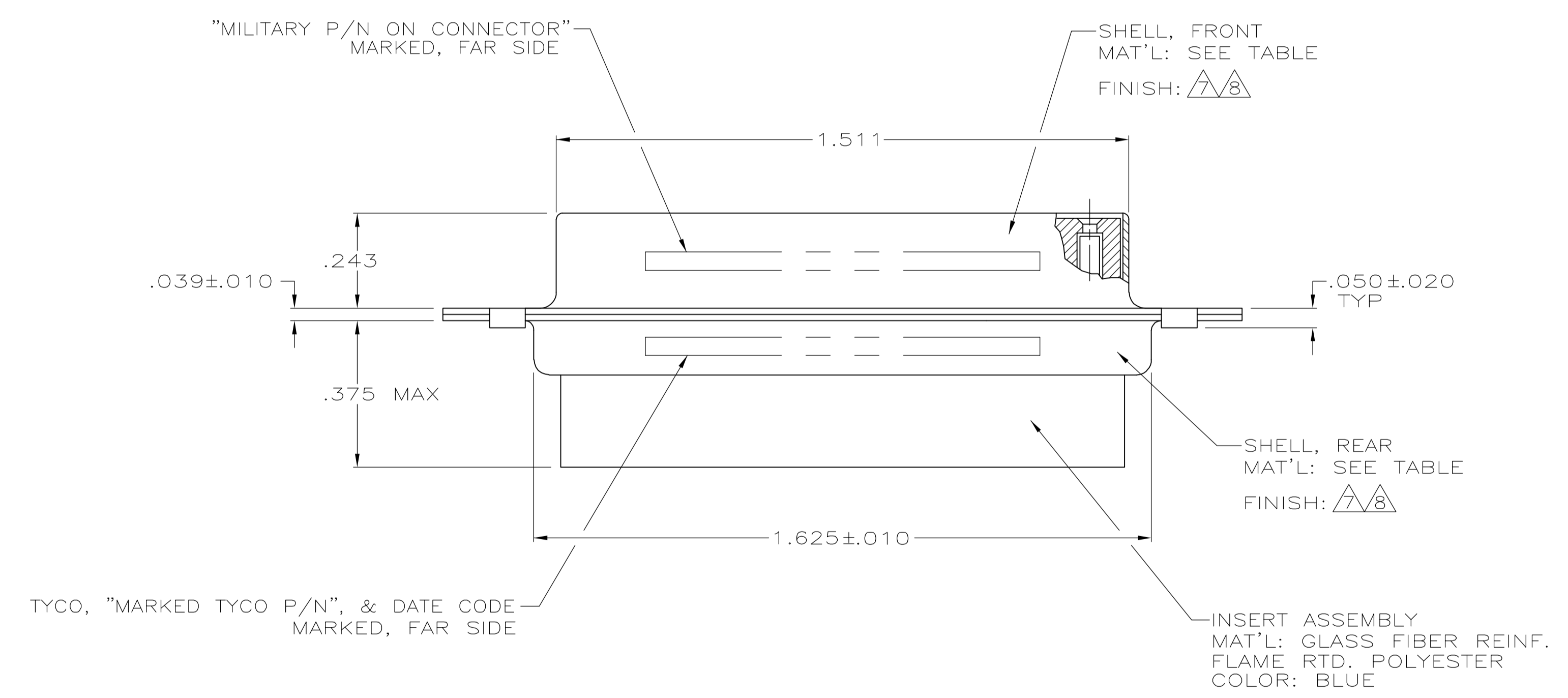
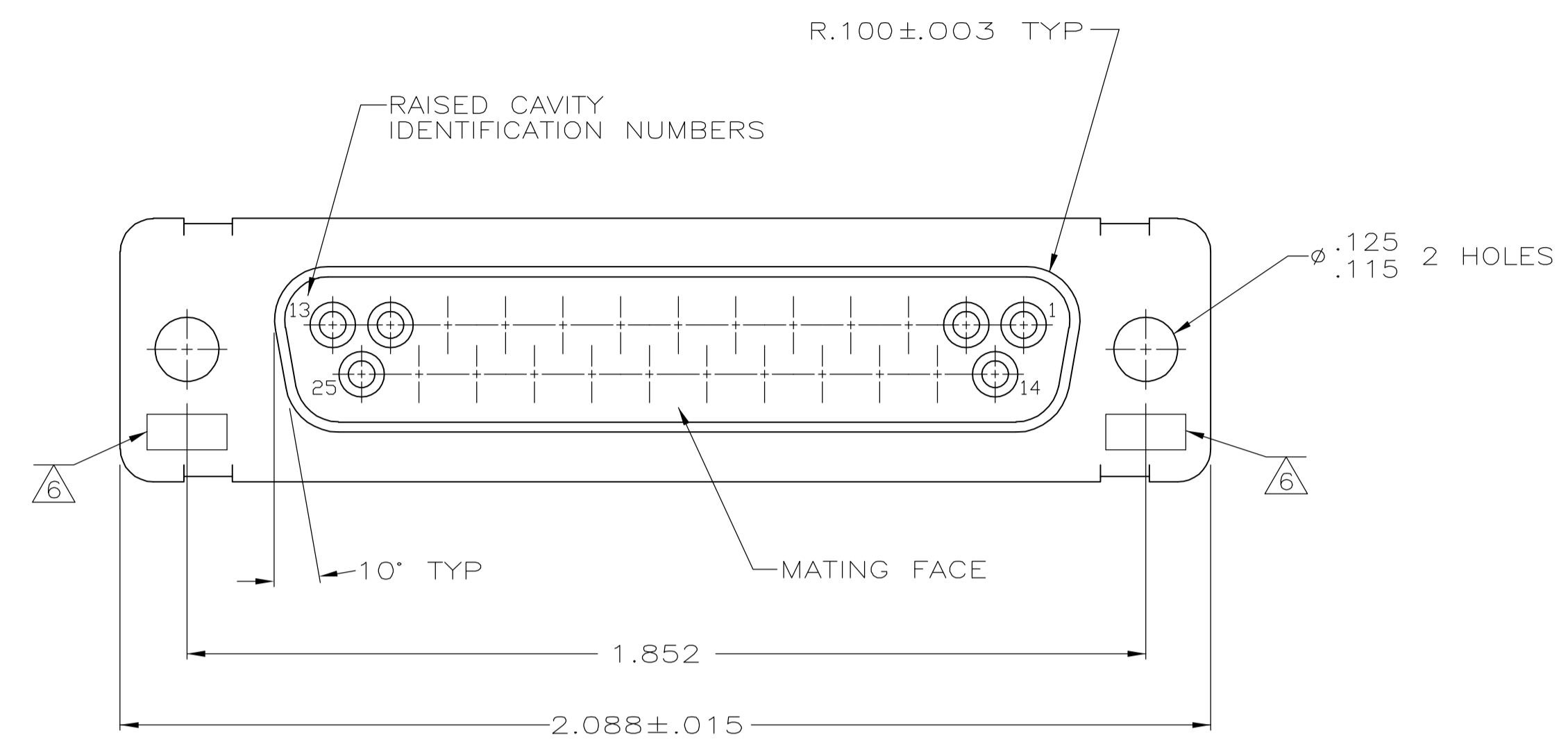


LOC	DIST	REVISIONS			
DF	DO	REV	DESCRIPTION	DATE	BY
M	REV PER	ECO-05-002792		05-05	AA

- THIS RCPT. IS DESIGNED TO CONFORM TO THE LATEST ISSUE OF MIL-C-24308.
 - MAX WIRE INSUL TO BE USED WITH THIS RCPT IS .068 DIA.
 - STAINLESS STEEL RETENTION CLIPS ARE INCLUDED IN INSERTS.
 - THIS RCPT. WILL ACCEPT SIZE 20 SOCKET CONTACT M39029/63-368 OR ANY TYCO HD-20 SOCKET CONTACTS ORDERED SEPARATELY.
- ⑤ TYCO PART NO. MARKED ON CONNECTOR REPRESENTS KIT NUMBER WITH CONTACTS.
 - ⑥ UL/CSA DESIGNATION STAMPED IN THIS AREA, OPTIONAL.
 - ⑦ CADMIUM PER QQ-P-416.
 - ⑧ BRIGHT TIN PER ASTM-B-545 .000400-.000550 THK OVER COPPER PER AMS2418 .000050 MIN THK.



205165-4	-	-	-	⑧	STEEL PER ASTM-A-109	205165-4
SUPSD BY 206801-2	-	-	-	-	BRASS	205165-2
205559-2	M24308/2-283F	M24308/2-3F	⑤	⑦	STEEL PER ASTM-A-109	205165-1
TYCO P/N MARKED ON CONNECTOR	MILITARY P/N ON PACKAGE	MILITARY P/N ON CONNECTOR	REMARKS	SHELL FINISH	SHELL MAT'L	PART NO.

THIS DRAWING IS A CONTROLLED DOCUMENT.

DIMENSIONS: INCHES	TOLERANCES UNLESS OTHERWISE SPECIFIED:	DIN C.C.THOMAS 12-DEC-87	tyco Electronics Tyco Electronics Corporation Harrisburg, Pa 17105-3608
0 PLC ± -	1 PLC ± -	CHK F.C.BALLEW 10-DEC-87	NAME AMPLIMITE RCPT FOR SOCKET CONTACTS HI-DENSITY HD-20 CONNECTOR SIZE 3 (25 POSN) SERIES 109
2 PLC ± -	3 PLC ± .005	APVD F.C.BALLEW 10-DEC-87	PRODUCT SPEC
4 PLC ± -	ANGLES ± 0°30'	APPLICATION SPEC	SIZE A1
MATERIAL SEE CALLOUTS	FINISH SEE CALLOUTS	WEIGHT -	SCALE 4:1
CUSTOMER DRAWING		SIZE A1	SHEET 1 OF 1

REV M