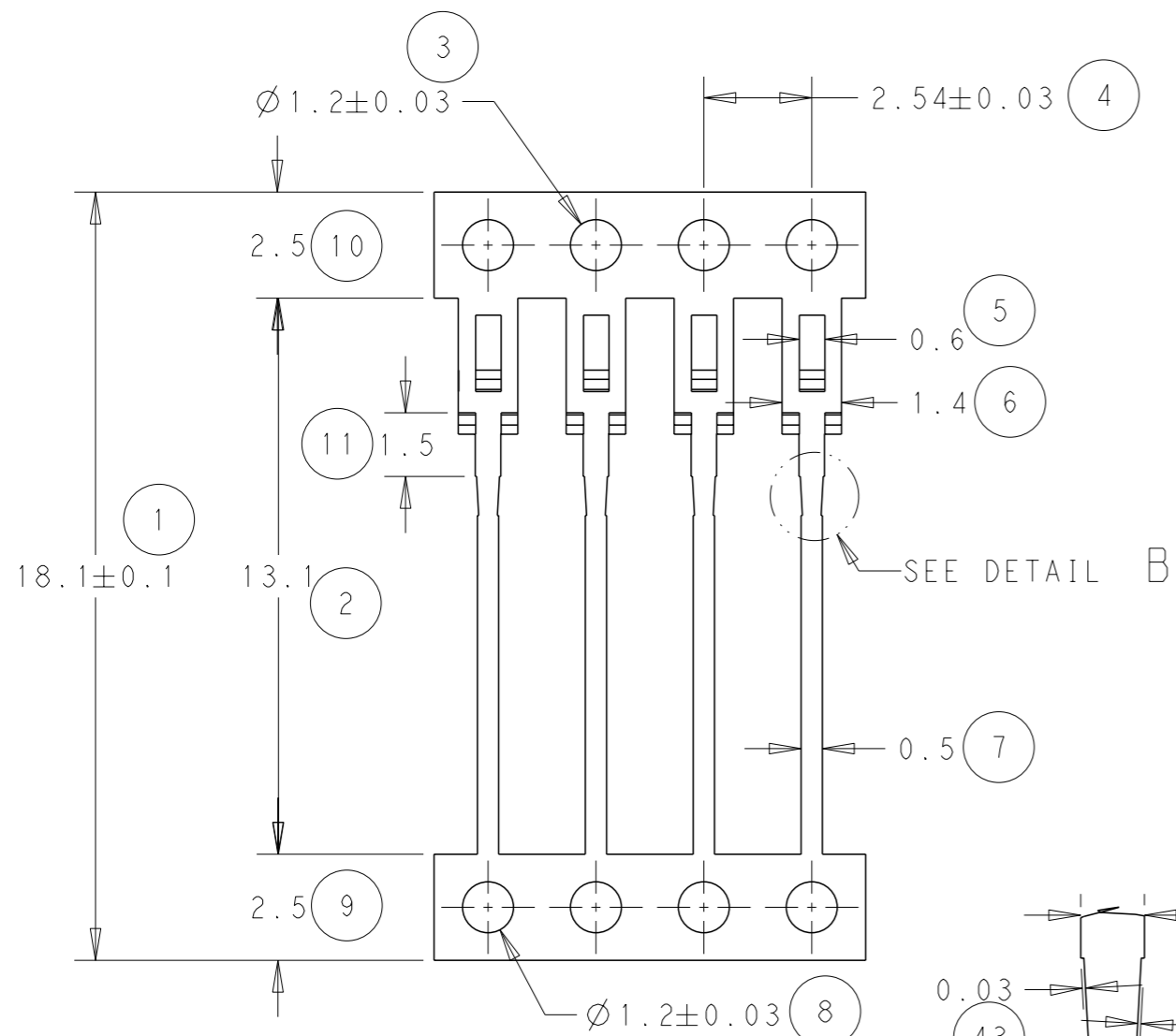
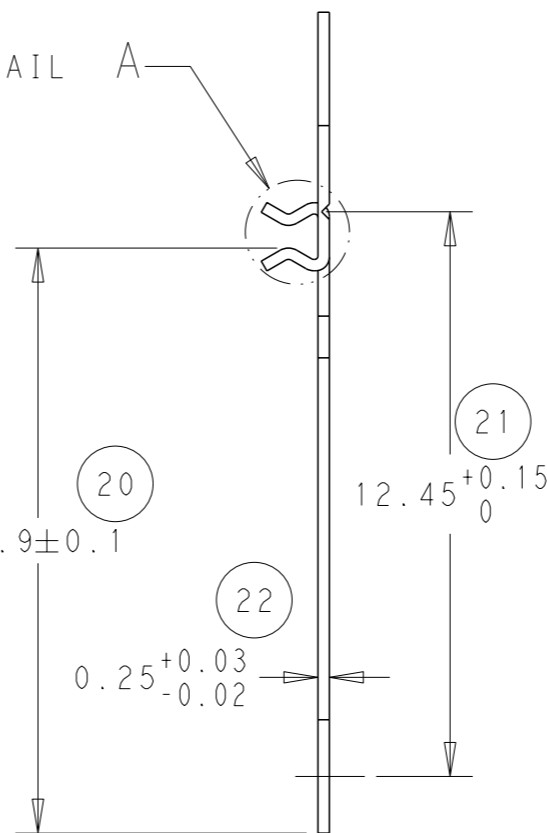


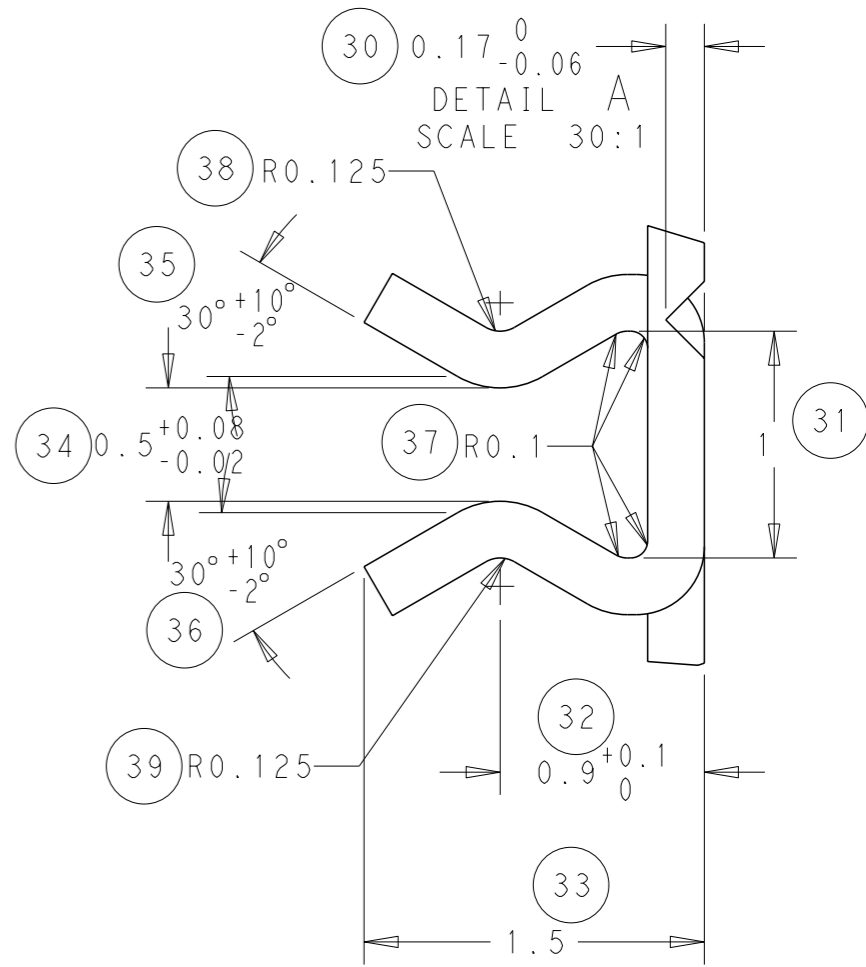
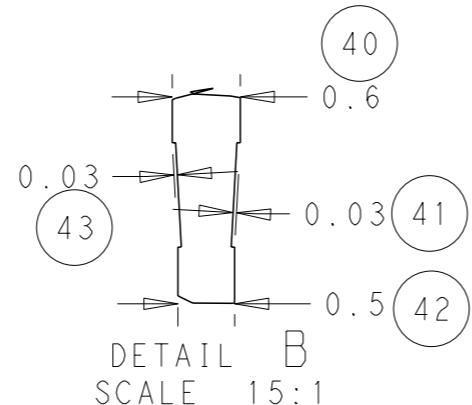
LOC	DIST	REVISIONS					
		P	LTR	DESCRIPTION	DATE	DWN	APVD
B	-		H	ECR-11-018847	13/09/11	JB	MG
			J	ECR-11-023742	22/11/11	JB	MG



SEE DETAIL A

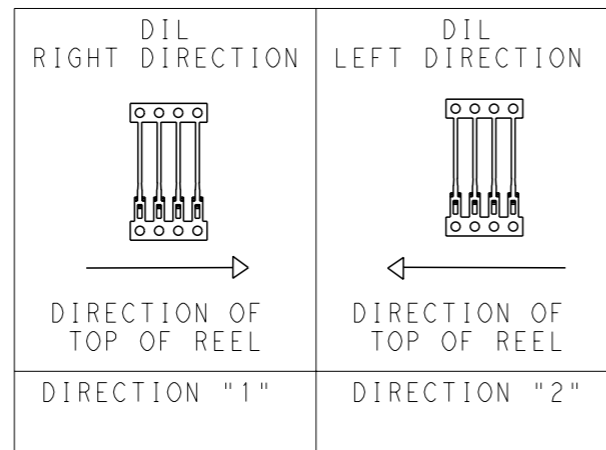
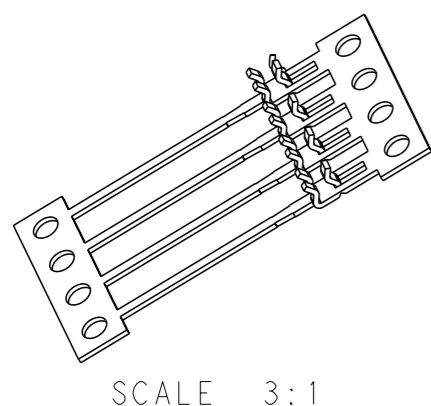


SEE DETAIL B



NOTE  
 BOWING: AFTER UPPER TIE BAR REMOVAL -1.5mm MAX. FOR 500mm  
 PITCH: AFTER UPPER TIE BAR REMOVAL -2.54±0.127  
 INTERIOR RADS 0.1mm TYPICAL

2	Ni & Sn	0-1544179-4
2	Sn	0-1544179-3
1	Ni & Sn	0-1544179-2
1	Sn	0-1544179-1
REELING	FINISH	PART NUMBER



THIS DRAWING IS A CONTROLLED DOCUMENT.

DIMENSIONS:	TOLERANCES UNLESS OTHERWISE SPECIFIED:
mm	
	0 PLC ±-
	1 PLC ±-
	2 PLC ±0.05
	3 PLC ±-
	4 PLC ±-
	ANGLES ±0.5
	FINISH -

MATERIAL SEE ABOVE

DWN	J. BRIGHT	19/08/11
CHK	M. GREENER	19/08/11
APVD	D. PENNINGTON	19/08/11
PRODUCT SPEC	-	-
APPLICATION SPEC	-	-
WEIGHT	-	-

**STE** TE Connectivity

NAME: DIL CONTACT

SIZE	CAGE CODE	DRAWING NO	RESTRICTED TO
A3	00779	C-1544179	-

CUSTOMER DRAWING SCALE: NTS SHEET 1 OF 1 REV J