

THIS DRAWING IS UNPUBLISHED. RELEASED FOR PUBLICATION
 © COPYRIGHT BY TYCO ELECTRONICS CORPORATION. ALL RIGHTS RESERVED.

LOC		DIST		REVISIONS			
AD	00	P	LTR	DESCRIPTION	DATE	DWN	APVD
		A		REVISED PER ECO-08-031577	18DEC08	HMR	MS

SPECIFICATIONS:
 BREAK BEFORE MAKE
 2XSPDT

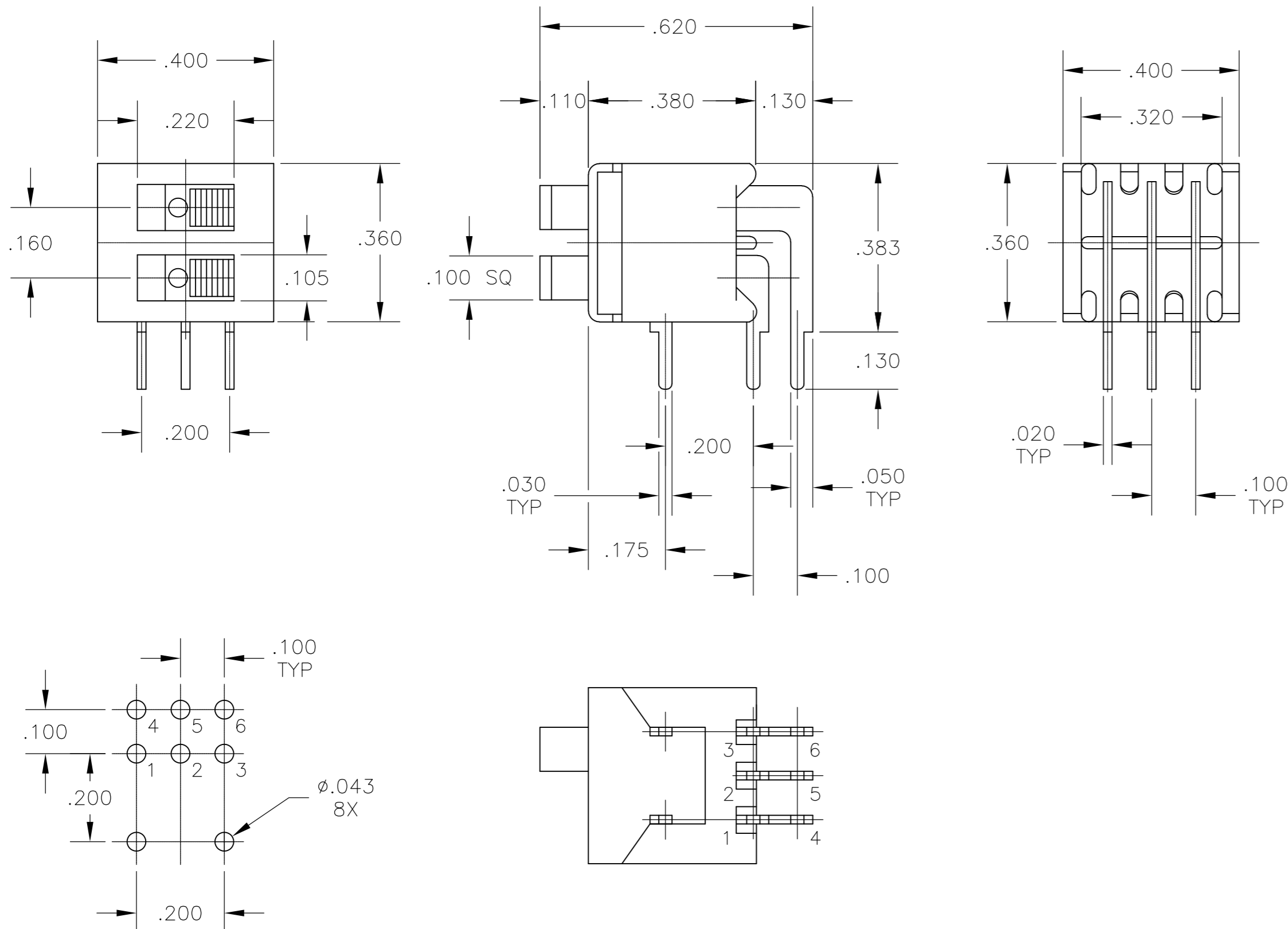
MATERIALS:
 CASE- LCP UL94V-0, BLACK
 ACTUATOR- POLYESTER UL94V-0, BLACK
 FRAME- STEEL, TIN PLATE
 MOVING CONTACT- COPPER ALLOY, GOLD OVER NICKEL PLATE
 FIXED CONTACT- COPPER ALLOY, GOLD OVER NICKEL PLATE
 TERMINAL- COPPER ALLOY, TIN OVER NICKEL PLATE

ELECTRICAL:
 CONTACT RATING- .4VA MAX @ 20V DC OR PEAK AC
 INITIAL CONTACT RESISTANCE- 20 MILLIOHMS MAX
 INSULATION RESISTANCE- 1,000 MEGOHMS MIN @ 500V DC
 DIELECTRIC STRENGTH- 1,000 VOLTS RMS @ SEA LEVEL
 LIFE- 60,000-80,000 CYCLES

MECHANICAL:
 TRAVEL- .120
 ACTUATION FORCE- 150-600 GRAMS

ENVIRONMENTAL:
 OPERATING TEMPERATURE- -20°C TO +80°C.
 STORAGE TEMPERATURE- -20°C TO +80°C.
 SOLDER HEAT RESISTANCE- PER EIA-364-56A, PROCEDURE 3, COND B
 SOLDERABILITY- PER EIA-364-52, CLASS 2, CATEGORY 1

1 PRELIMINARY PART NUMBER.



RECOMMENDED HOLE LAYOUT
 TOLERANCES ±.002 UNLESS OTHERWISE NOTED

1,2-4,5	NONE	2,3-5,6	SPDT	2	FLUSH	TSD21DDG1RAE04	1 1825014-5
1,2-4,5	NONE	2,3-5,6	SPDT	2	EXTENDED	TSD21DDGRAE04	1 1825014-4
1,2-4,5	NONE	2,3-5,6	SPDT	2	FLUSH	TSD21DDG1RA04	1825014-3
1,2-4,5	OFF	2,3-5,6	SPDT	3	EXTENDED	TSD21EEGRA04	1825014-2
1,2-4,5	NONE	2,3-5,6	SPDT	2	EXTENDED	TSD21DDGRA04	1825014-1
			TYPE	POSN	ACTUATOR	ALCO P/N	TE P/N
			ACTUATOR POSITION				

THIS DRAWING IS A CONTROLLED DOCUMENT.		DWN	23JUN05	Tyco Electronics Corporation Harrisburg, Pa 17105-3608			
DIMENSIONS: INCHES		CHK	B.S.VISWESWARA	NAME			
TOLERANCES UNLESS OTHERWISE SPECIFIED:		APVD	-	PRODUCT SPEC			
0 PLC ± -		APPLICATION SPEC	-	SLIDE SWITCH DUAL, RA, PC			
1 PLC ± -		WEIGHT		SIZE	CAGE CODE	DRAWING NO	RESTRICTED TO
2 PLC ± -		-		A2	00779	C=1825014	-
3 PLC ± .010		-		SCALE 4:1 SHEET 1 OF 1 REV A			
4 PLC ± -		-					
ANGLES ± -		-					
FINISH		-					
MATERIAL SEE SPECIFICATION		-					
		CUSTOMER DRAWING					