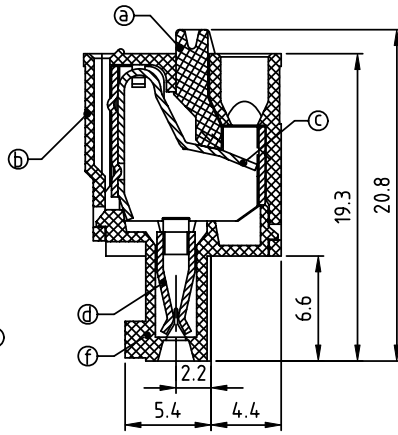
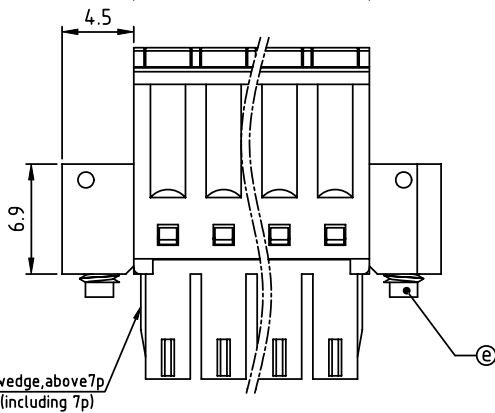
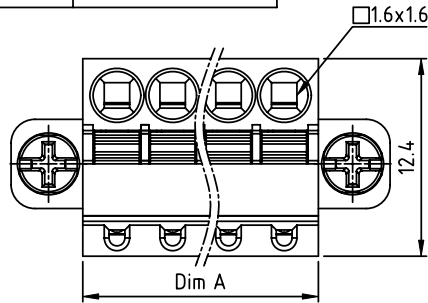
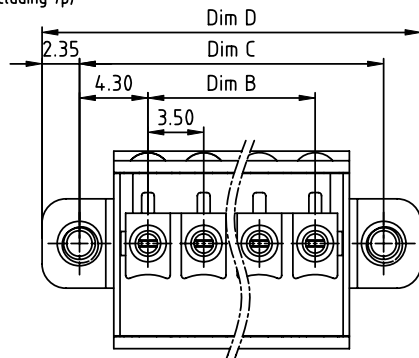


PRODUCT NUMBER	PITCH
HWxx10x200J0G	3.50 mm



2p to 6p with wedge, above 7p without wedge (including 7p)



PART NO.: HW xx 1 0 x 2 00J 0 G

N = Number of poles
 Dim A = $N \times 3.50 + 0.80$
 Dim B = $(N - 1) \times 3.50$
 Dim C = $(N - 1) \times 3.50 + 8.60$
 Dim D = $(N - 1) \times 3.50 + 13.30$

Poles	Tolerance
2P-6P	±0.10
7P-12P	±0.15
13P-18P	±0.20
19P-24P	±0.30

Solid block	No. of poles	Color	RoHS compliant (lead<4%) In copper Alloy
0	2	Black (RAL9005)	
02	2 poles	Red (RAL3001/D)	
03	3 poles	Orange (RAL2011/P)	
...	...	4 Yellow (RAL1018/A)	
...	...	5 Green (RAL6018/T)	
6	6 poles	6 Blue (RAL5015/A)	
		8 Grey (RAL7035/D)	
		9 White (RAL1102)	
		C Green (RAL6018/U)	

Material:

- Item ① Terminal lever: Thermoplastic (UL94V-0) Orange (RAL2011/P)
- Item ② Top body: Thermoplastic (UL94V-0)
- Item ③ Spring clamp: Stainless steel
- Item ④ Female contact: PhPz (CuSn), Tin plated
- Item ⑤ Flange screw: M2.5 Steel Zinc plated
- Item ⑥ Bottom body: Thermoplastic (UL94V-0)

Electrical:

- Voltage rating: 300 V
- Current rating: 8 A
- Wire range:
- Solid wire (AWG): 16-28
- Stranded wire (AWG): 16-28
- Wire strip length: 8-9 mm
- Withstanding Voltage: 1.6 KV
- Operating temperature: -40°C to +115°C
- Safety Approval:

mat'l. code		surface ASME Y14.5 ✓	tolerance ASME Y14.5	projection	product family
ltr	ecn no	dr	date	tolerances unless otherwise specified	TERMINAL BLOCK
				angles	title
				$X \pm 0.5$	TERMINAL BLOCK
				$X.X \pm 0.3$	SPRING CLAMP, PLUGGABLE PLUG, WITH FLANGE
				$X.XX \pm 0.1$	scale
				dr	FCI
				enr	EVIN ZHONG 051514
				chr	HANKE FENG 051514
				appd	SHI JUN 051514
sheet index	revision	A		dwg no	sheet 1 of 1 size
	sheet	1		HWxx10x200J0G	A4
				type	CUSTOMER Drawing