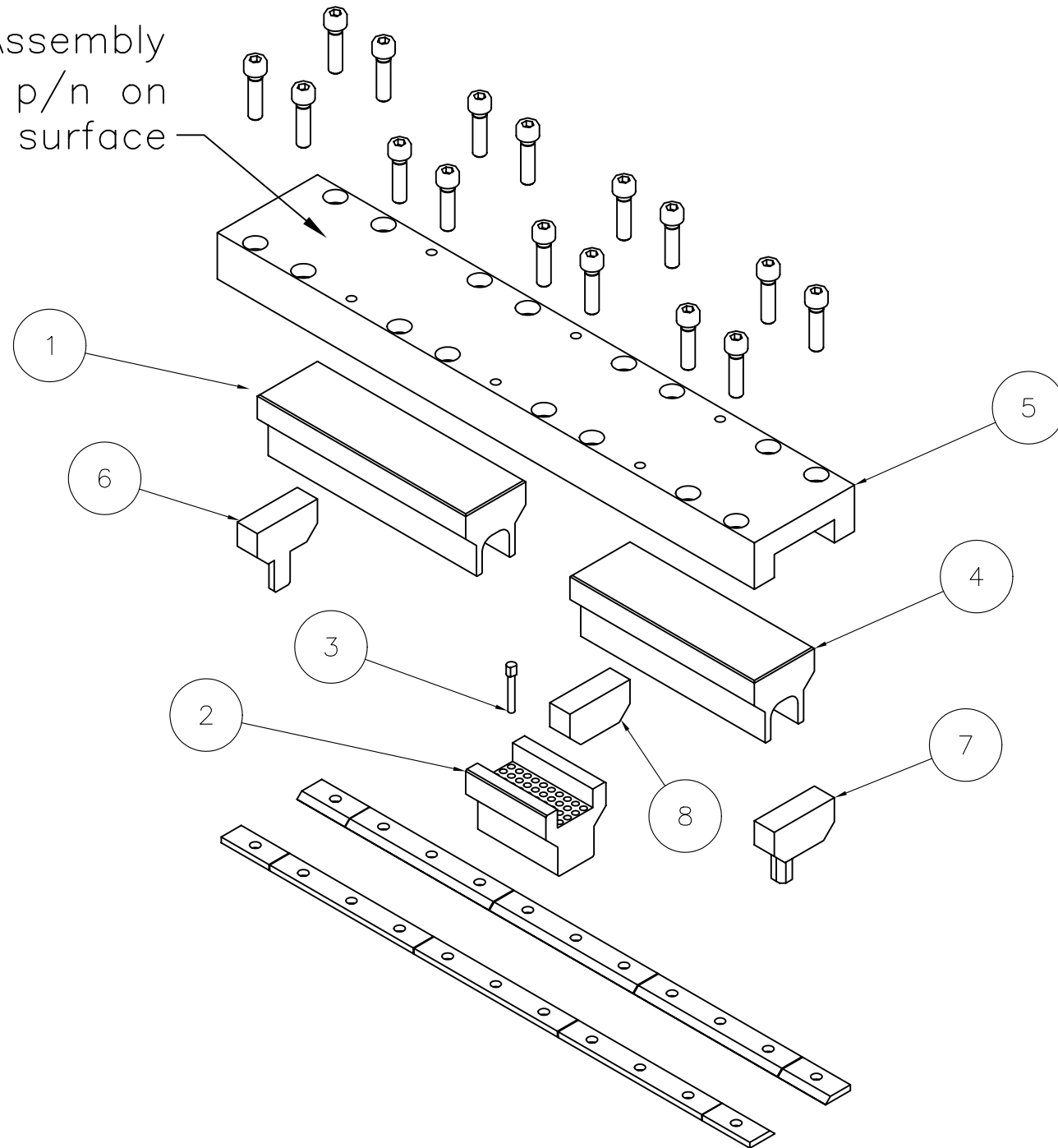


PART NUMBER
430169-xxx

NOTES:
1. BREAK ALL SHARP EDGES APPROX. .010
 LEAVE ALL SHARP EDGES
2. MARK IN AREA INDICATED BY X _____
 PART NUMBER
 REVISION LEVEL

Stamp Assembly
p/n on
this surface



Item 1. Base p/n 430173-xxx. xxx = "Dim A" "Dim A" = (number of power contacts minus 1 contact) x .200 or .250 or .300 (see product print) + .290.
NOTE: if only 1 contact "Dim A" = .290.

Item 2. Base p/n 155324-xxx XXX = "L" dim on dwg 155324

2A. "L" = "number of signal contacts" x .100
(number of signal contacts = "CCC" on product print)

Item 3. Base p/n 155325-xxx XXX is determined by length of mating side contact pins. -002 = .220 mate length, 007 = .270 mate length.

Item 4. Base p/n 430173-xxx. xxx = "Dim A" "Dim A" = (number of power contacts minus 1 contact) x .200 or .250 or .300 (see product print) + .290.
NOTE: if only 1 contact "Dim A" = .290.

Item 5. Base p/n 160257-xxx XXX = overall length of connector. Cut to length from 160257-001, -002, -003, or -004. Overall length = "Dim A" on product print.


Item 6. Base p/n 430199-001 "Left Orientation Key".

Item 7. Base p/n 430199-002 "Right Orientation Key".

Item 8. Base p/n 160256-003 Not used in all connectors, consult product print.

A	ECR#V10359	GJP	10-01
	New Dwg	GJP	10-01
REV	DESCRIPTION	BY	DATE
REVISIONS			

ENGLISH

TOLERANCE UNLESS OTHERWISE SPECIFIED		THIRD ANGLE PROJECTION		 www.fciconnect.com
SURFACE FINISH *** / ALL OVER		MATERIAL ***	HARDNESS ***	
TOLERANCE INCH		ALT. MAT'L. ***	HARDNESS ***	
LINEAR	.00±.01	FINISH ***	DATE 10-18-01	TITLE PwrBlade Vertical Header Insertion Tool SCALE 3/4 SIZE B DWG. NO. 430169 SHEET 1 of 1
	.000±.005	DR G Pontius	10-18-01	
	.0000±.0005	ENGR G Pontius	10-18-01	
	.00000±.0002	CHK G Pontius	10-18-01	
USED ON	ANGLES 0° ±1'	APPD G Pontius	10-18-01	

NOTE: THIS DOCUMENT IS THE PROPERTY OF AND EMBODIES PROPRIETARY INFORMATION OF FCI ELECTRONICS. NO PART OF THE INFORMATION SHOWN ON THIS DOCUMENT MAY BE USED IN ANY WAY WITHOUT THE WRITTEN CONSENT OF FCI ELECTRONICS.

FORM E-3074 REV 3/00