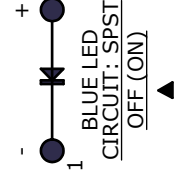
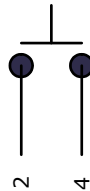


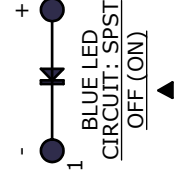
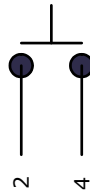
▲ LED SPECS	UNITS	BLUE
FORWARD CURRENT	mA	20
FORWARD VOLTAGE @20mA	V	3.4-4.0
LUMINOUS INTENSITY @ 5mA	MCD	200



T	D
1.0-2.0	8.0-8.2
2.0-2.5	8.2-8.4
2.5-3.0	8.4-8.6

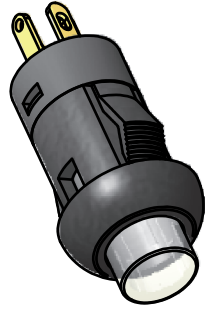
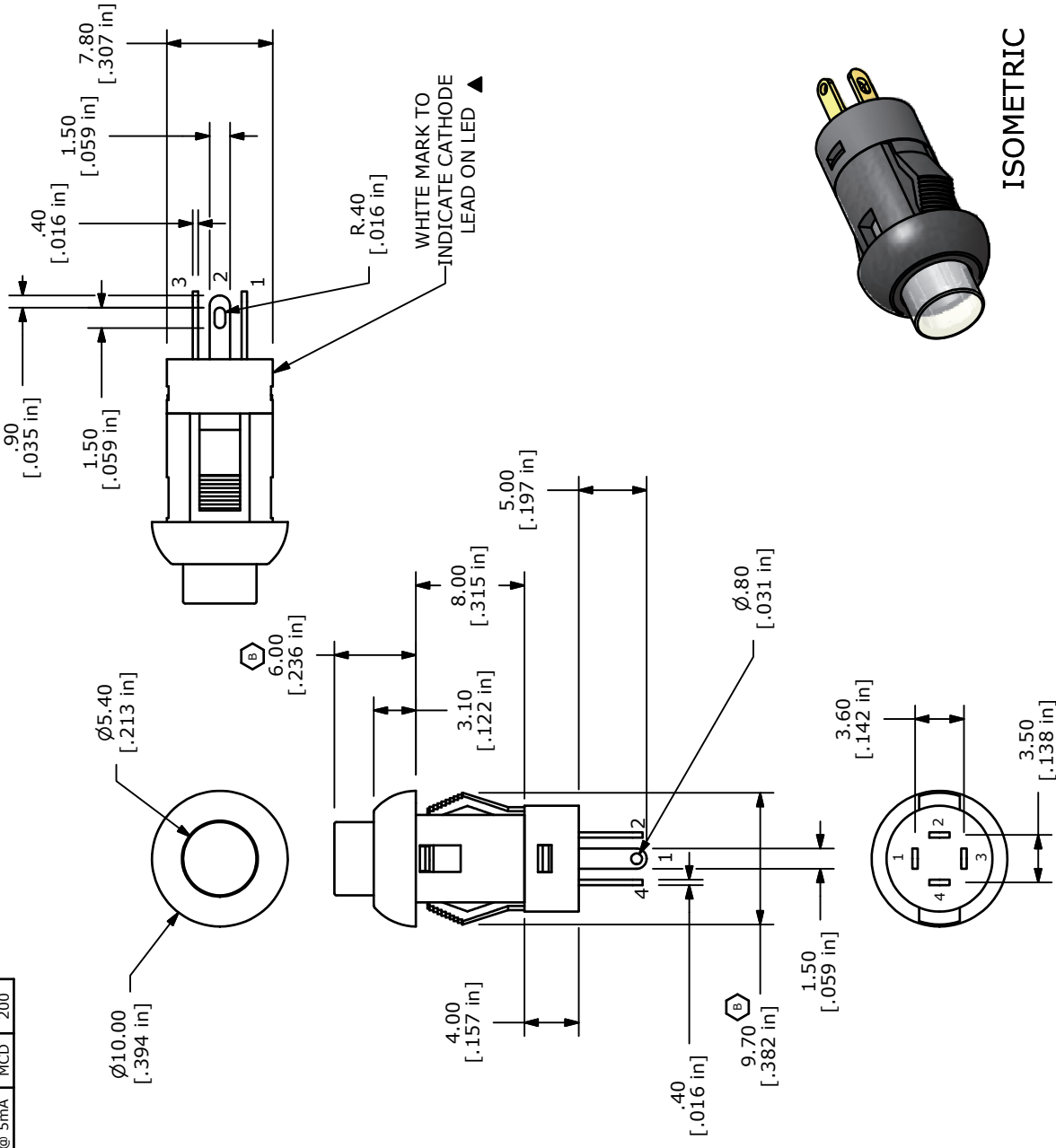


T	D
1.0-2.0	8.0-8.2
2.0-2.5	8.2-8.4
2.5-3.0	8.4-8.6



NOTES:

- ALL DIMENSIONS IN MM [INCH]
- GENERAL TOLERANCE: X.X=±0.4
X.XX=±0.25
- RATING: 30VDC @ 100mA
- CONTACT RESISTANCE: 50mΩ MAX.
- INSULATION RESISTANCE: 100MΩ MIN@500VDC.
- OPERATING FORCE: 250±100gf
- TRAVEL: 1.8±0.3mm
- OPERATING TEMPERATURE: -40°C TO 85°C
- OPERATING LIFE: 50,000 CYCLES
- LED: BLUE
- ▲ DENOTES CRITICAL PARAMETERS
- 2002/95/EC (ROHS) COMPLIANT



ISOMETRIC



E-SWITCH™

TITLE LP10A1AB

B	19582	CHANGED DIMS was 9.6 & 6.1	1/13/10	BGL
A	18259	New Release	9/24/08	rc
REV	PCR NO	DESCRIPTION	DATE	BY

THE INFORMATION CONTAINED IN THIS DOCUMENT IS PROPRIETARY TO E-SWITCH AND IS NOT TO BE COPIED OR TRANSFERRED

DATE 7/10/2008

DR rc

DWG B200201

REV B