

PRODUCT NUMBER	PITCH
H5xxA0x000J0G	7.50 mm

Dimension

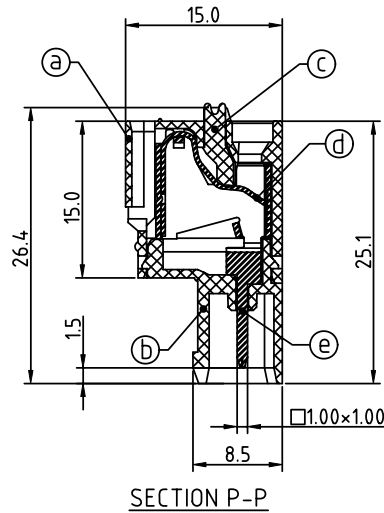
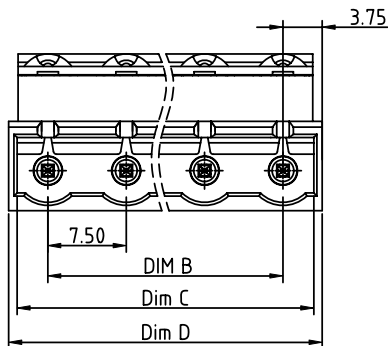
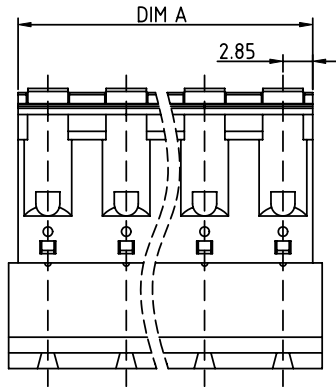
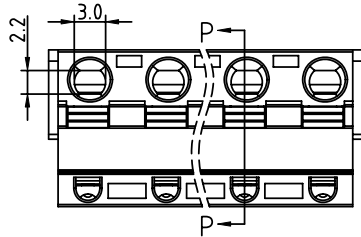
DIM A	$(N-1) \times 7.50 + 5.7$
DIM B	$(N-1) \times 7.5$
DIM C	$(N-1) \times 7.5 + 5.9$
DIM D	$N \times 7.5$

N=Number of poles

POLES	Tolerance
2p-6p	±0.20
7p-12p	±0.30
13p-16p	±0.40

PART NO.: H5 xx A 0 x 0 00J0 G

Solid block	0	Black (RAL9005)	RoHS compliant (lead<4%)
No. of poles	2	Red (RAL3001/D)	In copper Alloy
02	2 poles	3 Orange(RAL2011/P)	
03	3 poles	4 Yellow(RAL1018/A)	
...	...	5 Green(RAL6018/T)	
16	16 poles	6 Blue (RAL5015/A)	
		8 Grey(RAL7035/D)	
		9 White(RAL1102)	
		C Green(RAL6018/U)	



- Material:
- Item@Top body:Thermoplastic (UL94V-0)
 - Item@Bottom body:Thermoplastic (UL94V-0)
 - Item@Terminal lever:Thermoplastic (UL94V-0) Orange (RAL2001/P)
 - Item@Spring clamp:Stainless Steel
 - Item@Male contact pin: PhBz (CuSn) Tin plated
- Electrical cULus
- Voltage rating:300V
 - Current rating:10A
 - Solid wire(AWG):12-26
 - Stranded wire(AWG):12-26
 - Wire strip length:9-10mm
 - Withstanding Voltage:1.6KV
 - Operating temperature:-40°C to +115°C
 - Safety Approval: cULus

mat'l. code		surface ASME Y14.5 ✓	tolerance ASME Y14.5	projection 	product family TERMINAL BLOCK
ltr	ecn no	dr	date	title TERMINAL BLOCK SPRING CLAMP, PLUGGABLE PLUG MALE CONNECTOR	
tolerances unless otherwise specified				MM	scale
angles		X.±0.5		dwg no	
in		X.X±0.3		sheet 1 of 1 size	
X'±1"		X.XX±0.1		H5xxA0x000J0G A4	
dr		EVIN ZHONG	051714	FCI	
enr		EVIN ZHONG	051714	type	
chr		HANKE FENG	051714	CUSTOMER Drawing	
appd		SHI JUN	051714		
sheet index	revision sheet	A	1		