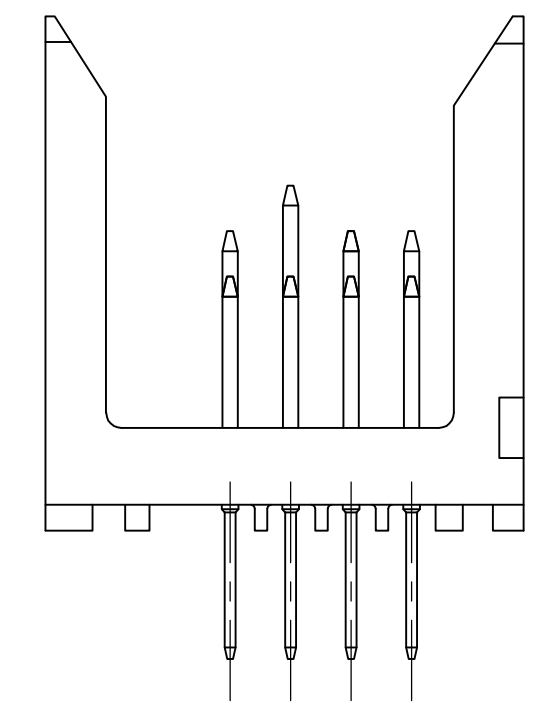


LOC		DIST		REVISIONS			
P	LTR	DESCRIPTION	DATE	DWN	APVD		
B		RELEASED PER ECO-08-003268	08FEB08	DH	AS		

- 1 HOUSING MATERIAL: LIQUID CRYSTAL POLYMER PER ASTM DS138 LCP000 G30A 32250, COLOR: NATURAL.
- 2 CONTACT MATERIAL: PHOSPHOR BRONZE.
- 3 CONTACT FINISH:
 UNDERPLATE (ENTIRE CONTACT):
 0.00127 MIN NICKEL
 ON MATING SURFACES:
 CONFORMS TO ALL TESTING SPECIFIED FOR TELCORDIA UNCONTROLLED ENVIRONMENT.
 ON LEADS:
 0.0006 MIN TIN-LEAD OVER UNDERPLATE.
 LUBRICATION (MIN MATING SURFACES):
 SURFACE CONDITIONER AFTER PLATING.
- 4 PART MARKING, LOCATED APPROXIMATELY AS SHOWN.
- 5 DIMENSION APPLIES WHEN SEATED ON PRINTED CIRCUIT BOARD.

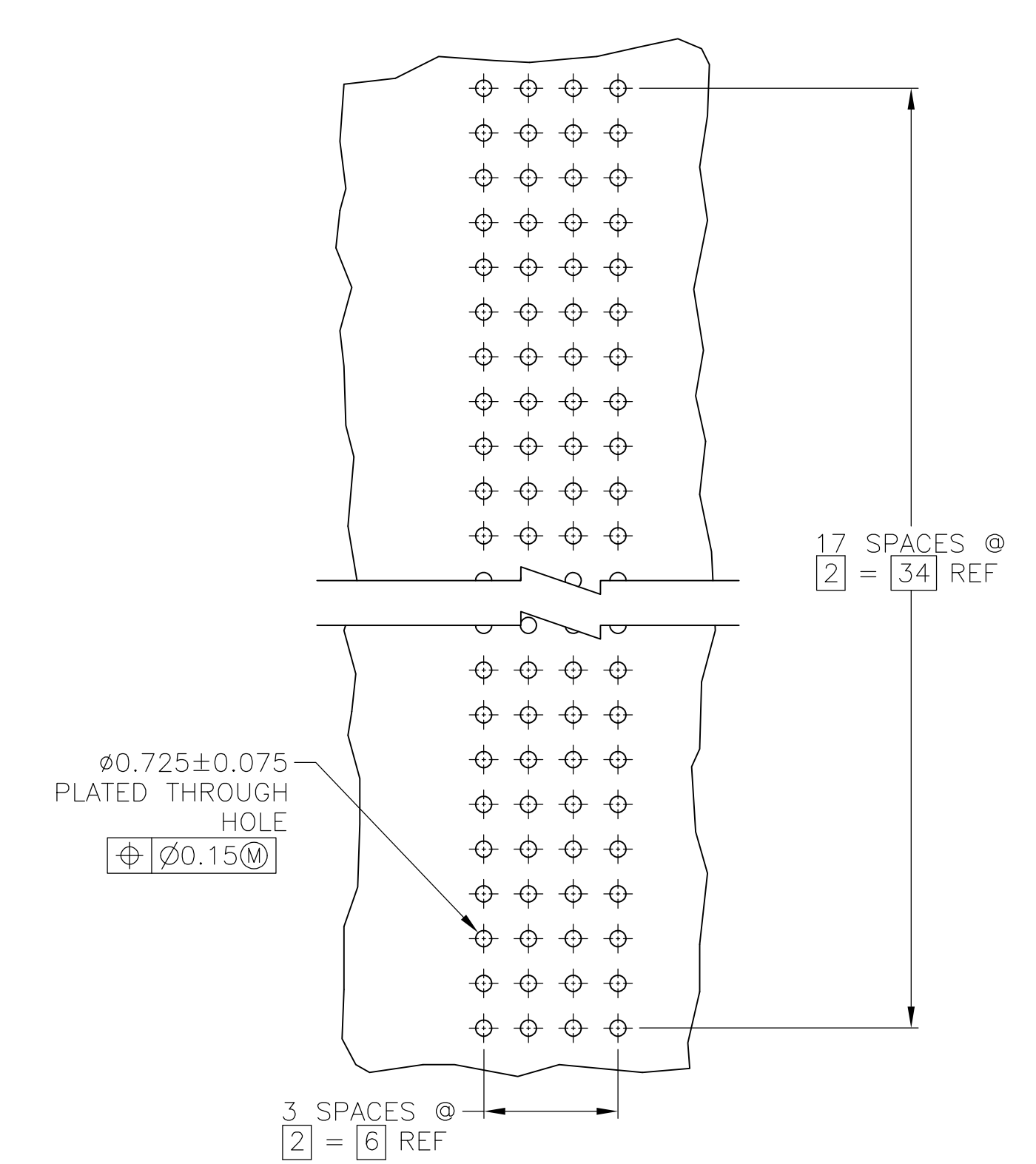
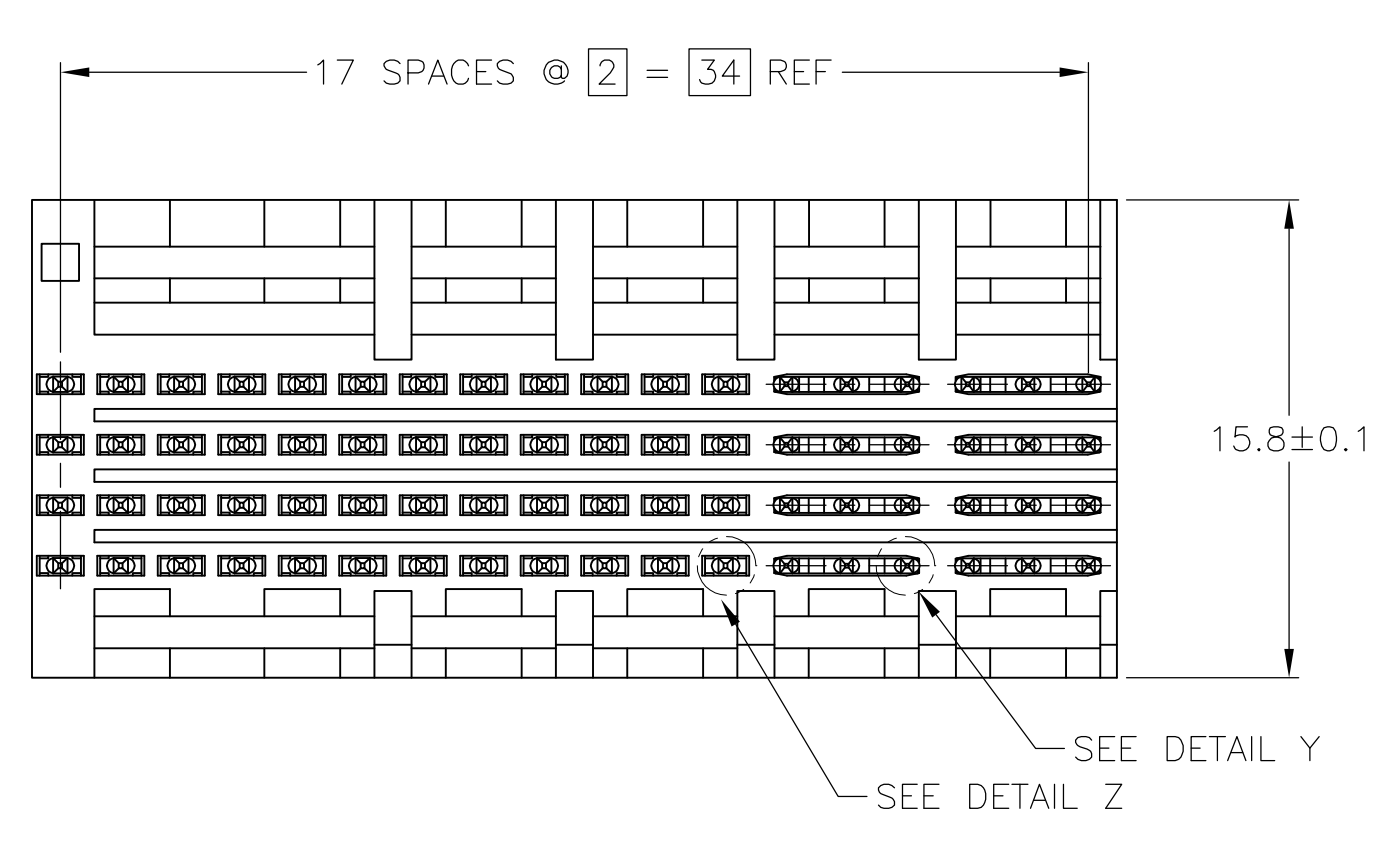
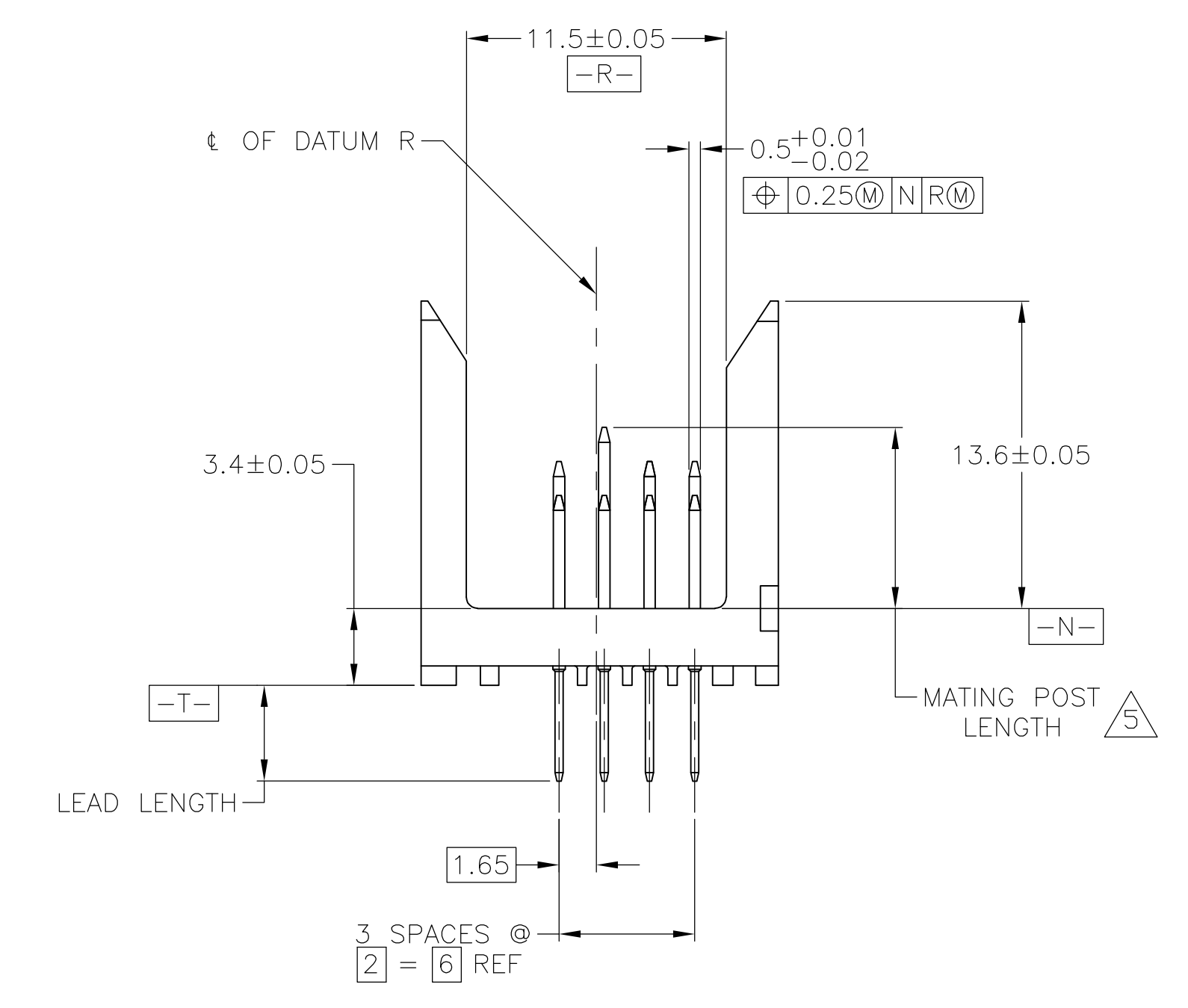
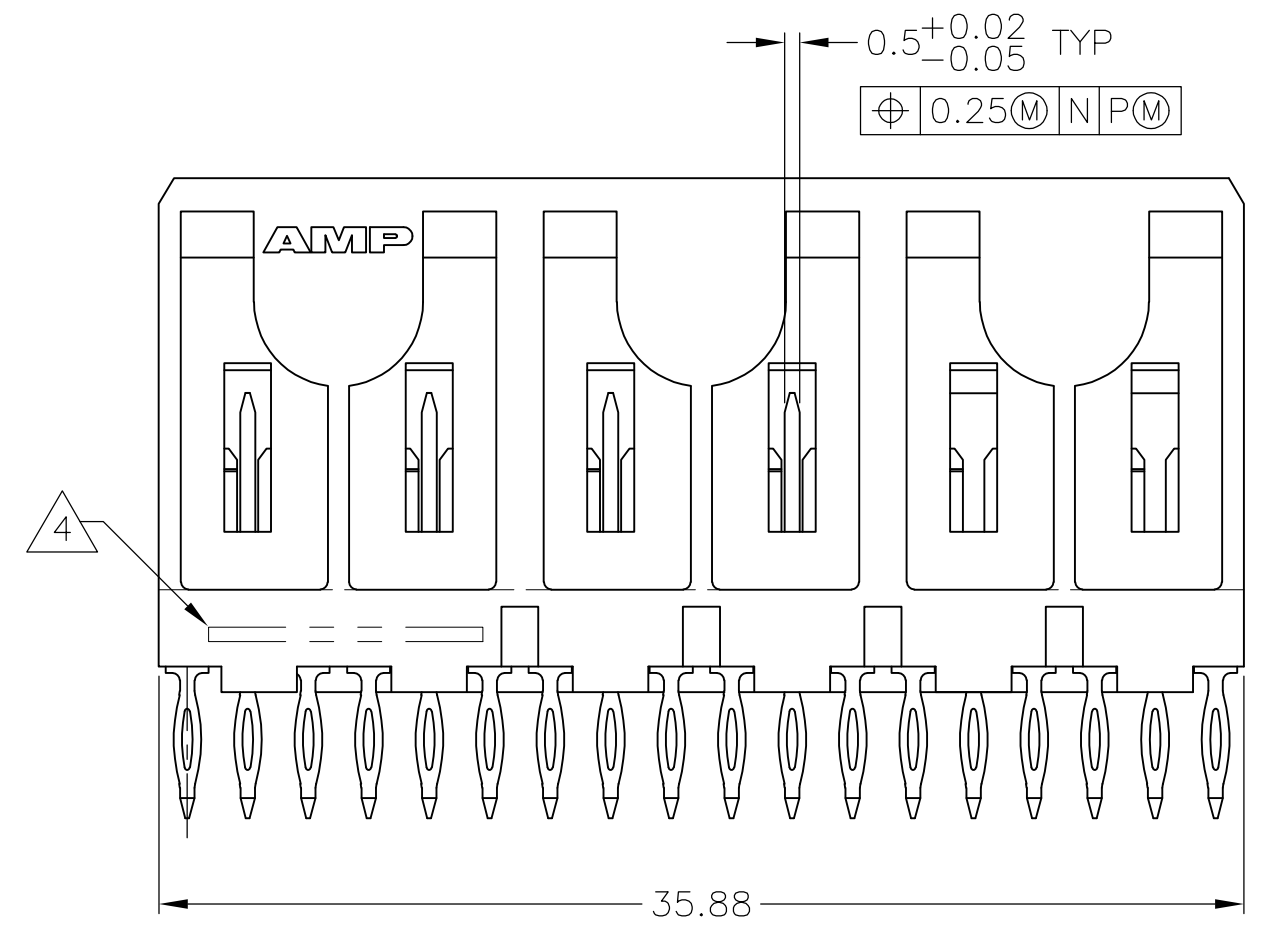
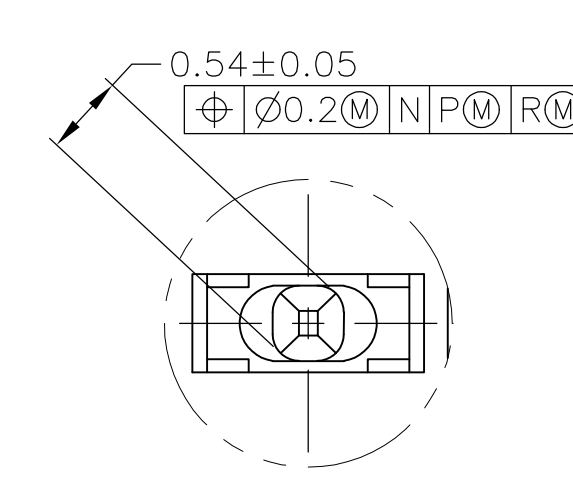
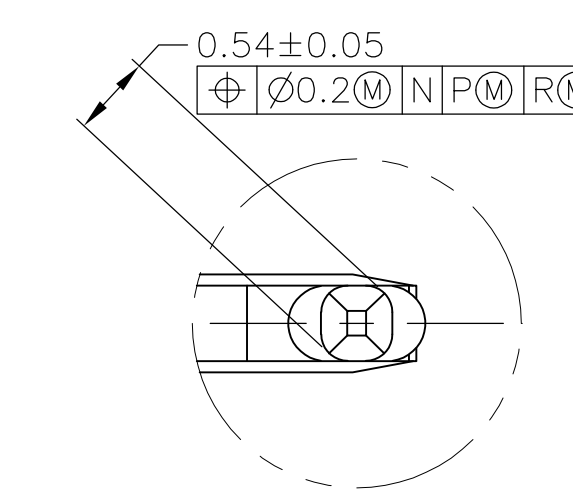
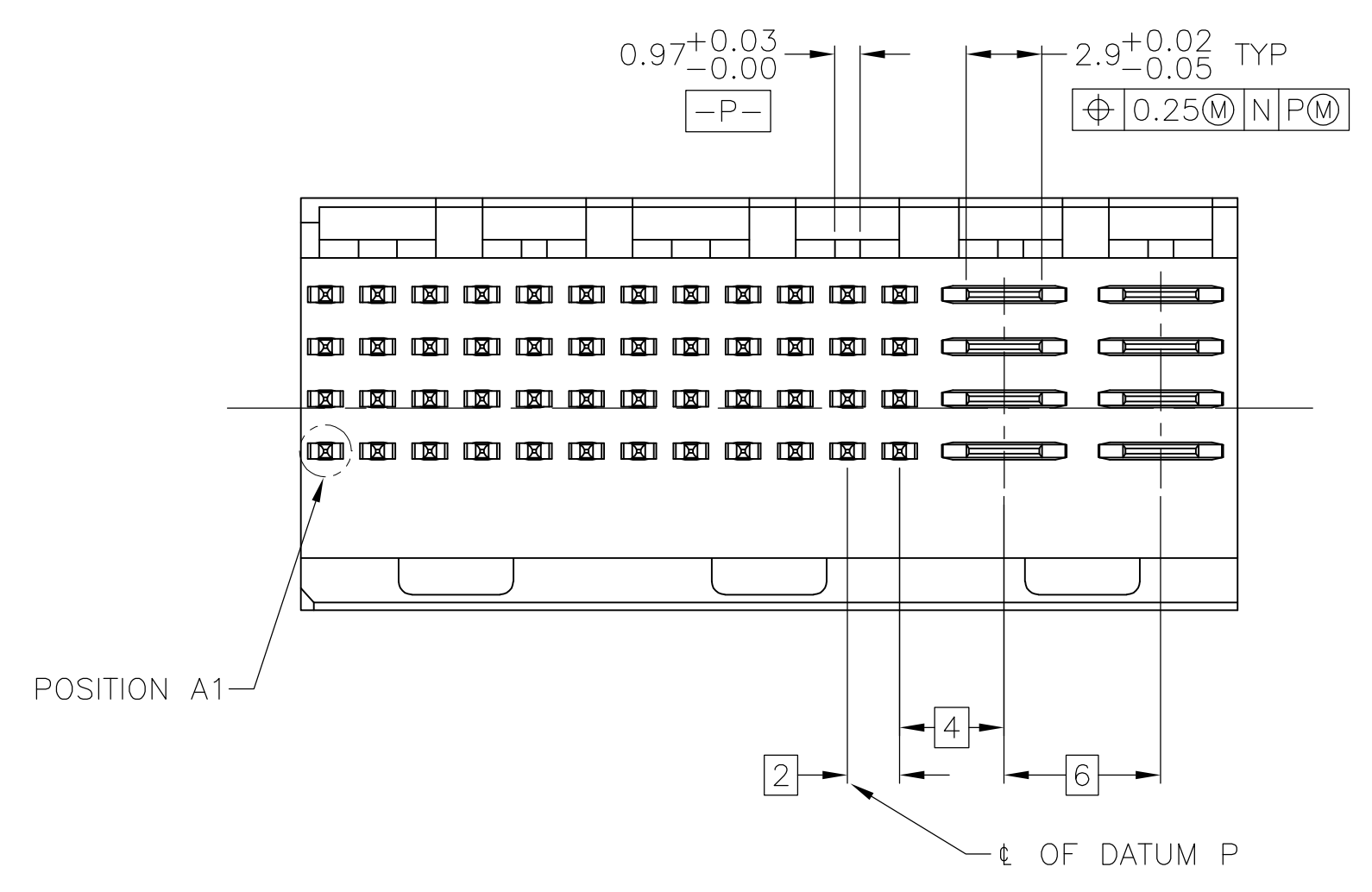


CODE LETTER	MATING POST LENGTH ±0.10	LEAD LENGTH REF
A	5	4.25
AA	6.5	4.25
AC	8	4.25

ROW	POSITION													14
	1	2	3	4	5	6	7	8	9	10	11	12	13	
D	A	A	A	A	A	A	A	A	A	A	A	A	AA	AA
C	A	A	A	A	A	A	A	A	A	A	A	A	AA	AA
B	A	A	A	A	A	A	A	A	A	A	A	A	AC	AC
A	A	A	A	A	A	A	A	A	A	A	A	A	AA	AA

SEQUENCE FOR 223164-1

THIS DRAWING IS A CONTROLLED DOCUMENT.		DIN D. HUMBERT 20AUG2007	Tyco Electronics Corporation Harrisburg, PA, 17105-3608	
DIMENSIONS: MM		CIK A. SHARPE 20AUG2007	NAME PIN ASSEMBLY, SIGNAL/POWER MIX, Z-PACK 2mm FB, PRESS FIT, 48 SIGNAL - 8 POWER	
TOLERANCES UNLESS OTHERWISE SPECIFIED: 0. PLC ± - 1. PLC ± - 2. PLC ± 0.13 3. PLC ± - 4. PLC ± - ANGLES ± -		APVD A. SHARPE 20AUG2007	RESTRICTED TO	
MATERIAL		FINISH	SIZE A1	WEIGHT
1 2		3	CAGE CODE 00779	DRAWING NO 223164
CUSTOMER DRAWING		SCALE 4:1	SHEET 1 OF 2	REV B



RECOMMENDED CIRCUIT PATTERN
 PER IPC-D300 TYPE II, CLASS C
 (COMPONENT SIDE)

3	48	8	223164-1
FINISH	NO OF SIGNAL POSN	NO OF POWER POSN	PART NUMBER

THIS DRAWING IS A CONTROLLED DOCUMENT.		DIN D. HUMBERT 20AUG2007		Tyco Electronics Corporation	
DIMENSIONS: 1/16		CIK A. SHARPE 20AUG2007		Harrisburg, PA, 17105-3608	
TOLERANCES UNLESS OTHERWISE SPECIFIED:		APVD A. SHARPE 20AUG2007		NAME	
0. PLC ± -	1. PLC ± -	PRODUCT SPEC		PIN ASSEMBLY, SIGNAL/POWER MIX,	
2. PLC ± 0.13	3. PLC ± -	APPLICATION SPEC		Z-PACK 2mm FB, PRESS FIT,	
4. PLC ± -	ANGLES ± -	SIZE		48 SIGNAL - 8 POWER	
MATERIAL	FINISH	WEIGHT	SCALE	DRAWING NO	RESTRICTED TO
1 2	3	-	4:1	A1 00779 C=223164	-
CUSTOMER DRAWING			SHEET	REV	
			2	2	B