

5

4

3

2

1

DRAWING NO.

CPMC885-CUST

REVISIONS

OFFICAL RELEASE

01

03-05-09

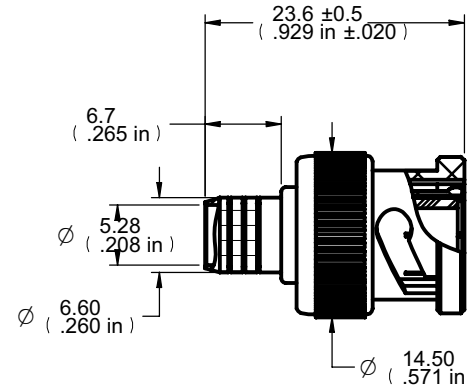
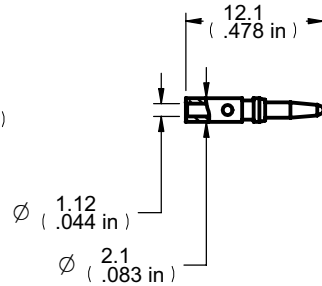
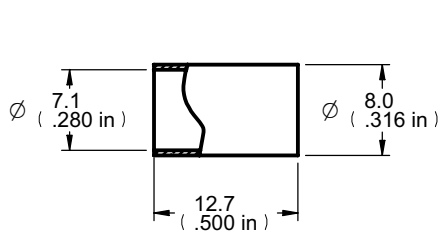
Z G B Y T

Thomas Chow

Description: Stright BNC Crimp Plug For RG6 Cable
 Part No: CPMC885
 Application: For Cable RG-6
 Crimp Tool: 24-8856P
 Impedance: 50 Ohms
 Fequency Range: 0-4 GHz
 Material: Body Zinc Nickel plated
 Contact Brass Gold plated
 Insulator PTFE
 Crimp Sleeve Brass Nickel plated
 Coupling Nut Zinc Nickel plated

RoHS Compliance: Yes

Technical Detail: Refer to Emerson Document P/N 27-0000



DIM OUTLINE

CUSTOMER COPY



TITLE STRAIGHT BNC CRIMP PLUG FOR RG6 CABLE

SHEET 1 OF 1

DRAWING NO. CPMC885-CUST

SIZE A

TOLERANCE UNLESS OTHERWISE SPECIFIED		DRAWN BY GARY.ZHG	DATE 03-05-09
DECIMALS	mm	CHECKED BY TERRY.W	DATE 03-05-09
X	± 0.5	APPROVED BY THOMAS	DATE 03-10-09
X.X	± 0.3	U/M	mm
X.XX	± 0.1		
ANGLES	± 0.5°		

THIS DRAWING WAS PRODUCED BY COMPUTER, DO NOT SCALE DRAWING OR UPDATE MANUALLY.

受控 CONTROLLED DOCUMENT

编号 P/N	CPMC885-CUST	版本 Rev	01	日期 Rel'd Date	Apr29,09
--------	--------------	--------	----	---------------	----------

5

4

3

2

1