

4

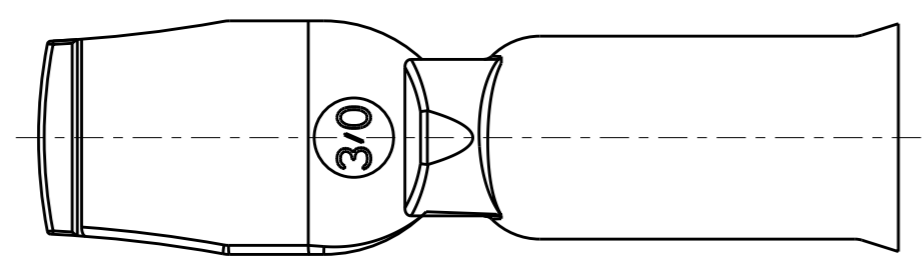
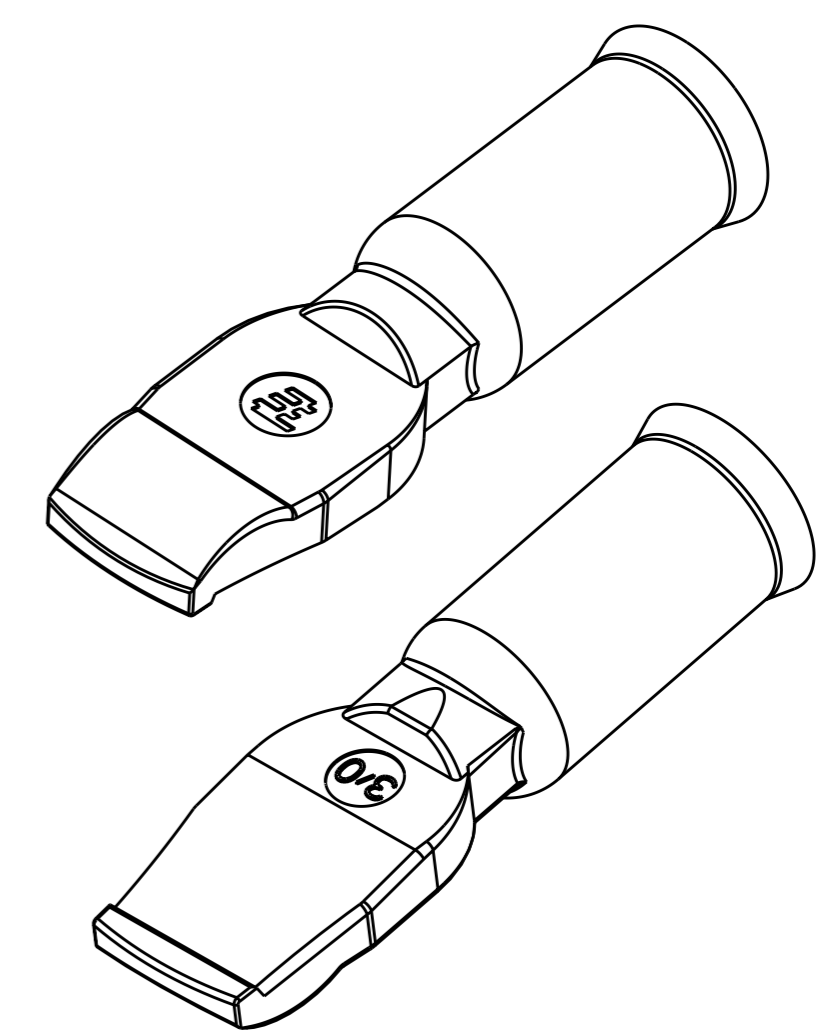
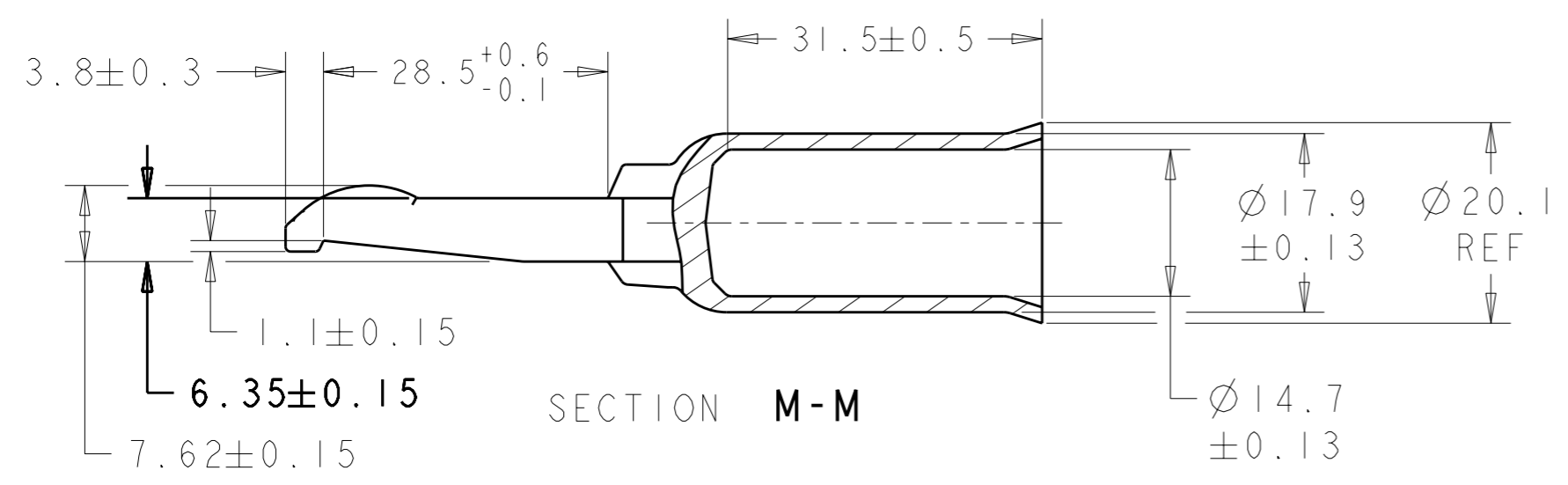
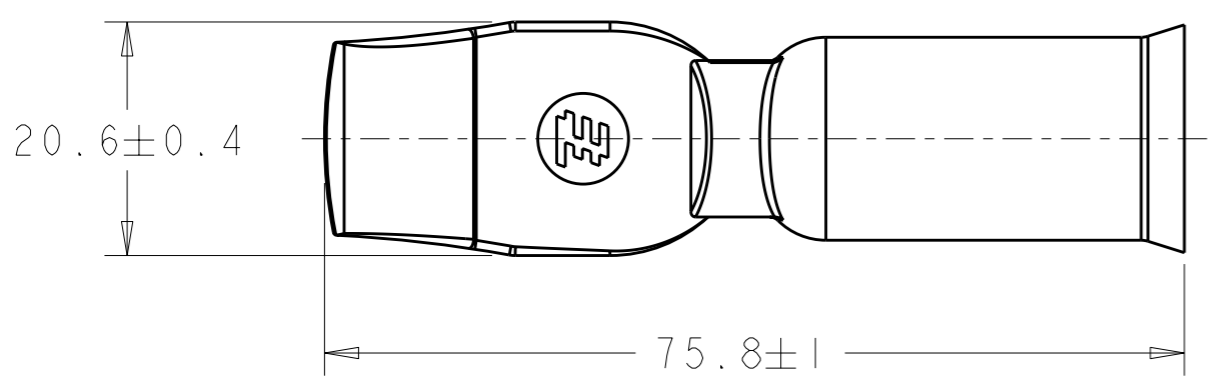
3

2

1

THIS DRAWING IS UNPUBLISHED. RELEASED FOR PUBLICATION 20  
 © COPYRIGHT 20 BY TYCO ELECTRONICS CORPORATION. ALL RIGHTS RESERVED.

LOC	DIST	REVISIONS			
P	LTR	DESCRIPTION	DATE	DWN	APVD
CM	0	B	REV PER ECR 10-006756	01APR10	JR SM



1. MATERIAL: COPPER ALLOY
2. FINISH: PLATED SILVER

AS SHOWN	1604053-1
DESCRIPTION	PART NUMBER



<small>THIS DRAWING IS A CONTROLLED DOCUMENT FOR TYCO ELECTRONICS CORPORATION. IT IS SUBJECT TO CHANGE AND THE CONTROLLING ENGINEERING ORGANIZATION SHOULD BE CONTACTED FOR THE LATEST REVISION.</small>		DWN 09APR2002 Brent D. Yohn		<b>tyco</b> <b>Electronics</b>		Tyco Electronics Harrisburg, PA 17105-3608	
DIMENSIONS: mm		TOLERANCES UNLESS OTHERWISE SPECIFIED: 0 PLC ±- 1 PLC ±0.3 2 PLC ±0.13 3 PLC ±0.050 4 PLC ±- ANGLES ±1°		CHK 09APR2002 W.H. BERNHART		NAME CONTACT, AMP POWER SERIES 350, 3/0 AWG	
MATERIAL -		FINISH -		APVD 09APR2002 W.H. BERNHART		PRODUCT SPEC -	
APPLICATION SPEC -		WEIGHT -		SIZE A3		CAGE CODE 00779	
CUSTOMER DRAWING		SCALE 3:2		DRAWING NO C-1604053		RESTRICTED TO -	
SHEET 1 OF 1		REV B		-		-	