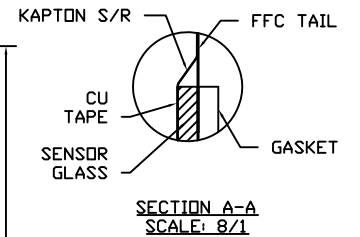
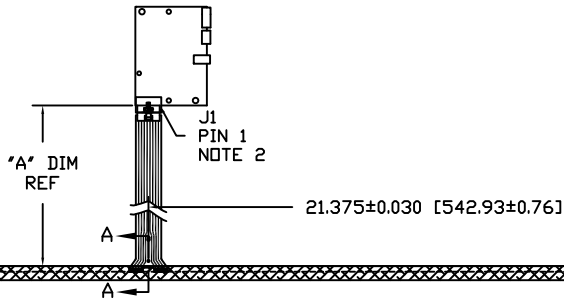


DGA DIAG: 42.93 [1090.4]
 AA DIAG: 41.57 [1055.8]

TOP LEVEL NUMBER	SKU NUMBER	TYPE	DIM "A" (TOTAL GLASS TO FLEXTAIL CONN)	PRODUCT SPEC
DSTK9007-3400	98-0003-2675-5	DUAL	12.00" [304.8]	33626/34017

DUAL
 DST-TC-3400DC
 98-0003-3288-6
 DUAL MODE CONTROLLER
 COMPONENT SIDE



J1 PINOUT	
1	CH 3
2	CH 2
3	PWR
4	2.5V
5	GRD
6	PWR
7	CH 0
8	CH 1

SENSOR FRONT

1.10 [27.9]
 TYP
 8X

CU TAPE
 3 SIDES

19.05 [483.9] 2X
 GASKET
 NOTE 3

.087 [2.21]
 GLASS
 .174 [4.42]
 TOTAL THK.

NOTES:

- WEIGHT OF GLASS IN GRAMS: 2825±10%
- 8 PIN AMP CONNECTOR
 LATCH STYLE HOUSING P/N: 487526-7
 TIN CONTACTS P/N: 2-487406-4
 HOUSING ORIENTED WITH LATCH UP
- GASKET ON SENSOR BACKSIDE

35.10 [891.5] GASKET 2X
 NOTE 3

36.300 [922.02] AA

37.300 [947.42] DGA

1.10 [27.9]
 REF

.50 [12.70]

20.250 [514.35]
 AA

21.250 [539.75]
 DGA

UNITS INCHES [MM]	
.X	±
.XX	±.03
.XXX	±.015
ANGLES	±1°

DO NOT SCALE DRAWING
 1 = 1

3M 3M TOUCH SYSTEMS
 WATUQU, MA
 USA
 COPYRIGHT 2005
 THIS DOCUMENT IS UNCLASSIFIED PROPERTY OF 3M
 AND IS LOANED TO YOU BY THE REQUESTOR. IT IS NOT TO BE REPRODUCED OR
 TRANSMITTED IN ANY FORM OR BY ANY MEANS, ELECTRONIC OR
 MECHANICAL, INCLUDING PHOTOCOPYING, RECORDING, OR BY ANY
 INFORMATION STORAGE AND RETRIEVAL SYSTEM, WITHOUT PERMISSION
 FROM 3M.

DATE: 10/05
 DESIGNED BY: Hortofello

06	REVISE PER CD 030743	7/00	ISB
05	REVISE PER CD 028824	3/08	ISB
04	REVISE PER CD 027300	5/07	JAH

MKT DWG
 DST2270DX 40"-0
 AUTOCAD
 1 OF 1
 27748-MKT
 06