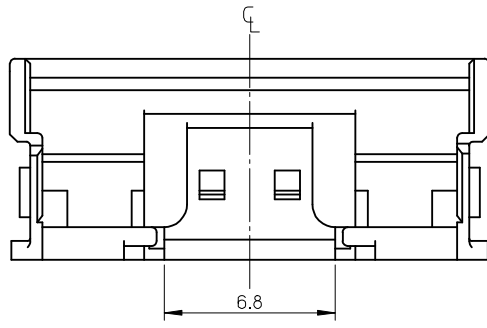
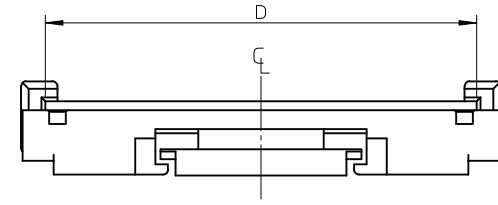
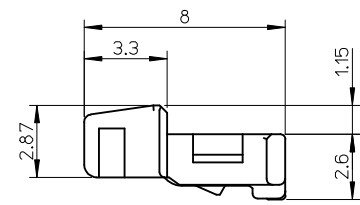
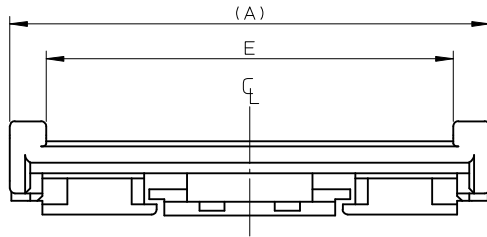
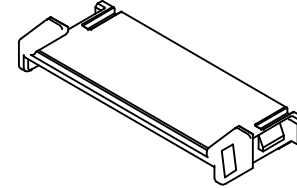
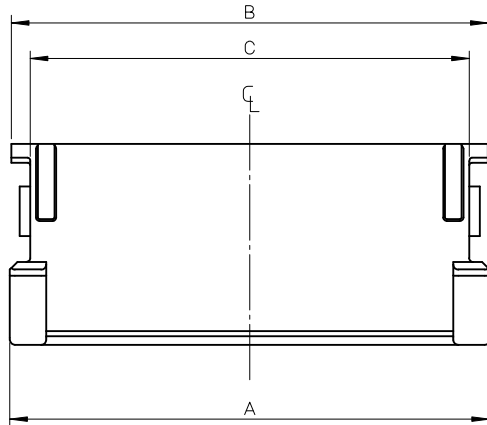


10 9 8 7 6 5 4 3 2 1



501786-4080/501864-4080	501784-4009	21.2	22.16	22.46	23.96	24.08	501783-4009	40
501786-3080/501864-3080	501784-3009	16.2	17.16	17.46	18.96	19.08	501783-3009	30
501864-3091	501784-3008							
APPLICABLE REC. ASSY	APPLICABLE JACKET COVER	E	D	C	B	A	MATERIAL NO.	極数

注記  
NOTES

- 1.材質 MATERIAL  
PBT, UL94V-0, 色:黒色  
PBT, UL94V-0, COLOR:BLACK
- 2.ELV及RoHS適合品  
ELV AND RoHS COMPLIANT

REVISED EC NO: J2013-0731 DR: NINISHI 2012/02/24 CHKD: TAKAHASHI 2012/08/03 APPR: MORIKAWA 2013/01/07	DESCRIPTION	GENERAL TOLERANCES (UNLESS SPECIFIED)		DIMENSION STYLE MM ONLY	SCALE <del>1:1</del>	DESIGN UNITS METRIC	THIRD ANGLE PROJECTION	
		10 UNDER	±0.2	DRAWN BY H. IJIMA	DATE 07/11/27	TITLE 0.5 FPC TO BOARD CONN. PLUG JACKET		
		10 OVER 30 UNDER	±0.25	CHECKED BY K. MORIKAWA	DATE 07/11/27			
		30 OVER	±0.3	APPROVED BY H. HIRATA	DATE 07/11/27			
		ANGULAR ±1 °	DRAFT WHERE APPLICABLE MUST REMAIN WITHIN DIMENSIONS	MATERIAL NO. 501783-**09	DOCUMENT NO. SD-501783-004	SHEET NO. 1 OF 1		
		THIS DRAWING CONTAINS INFORMATION THAT IS PROPRIETARY TO MOLEX INCORPORATED AND SHOULD NOT BE USED WITHOUT WRITTEN PERMISSION						

9 8 7 6 5 4 3 2